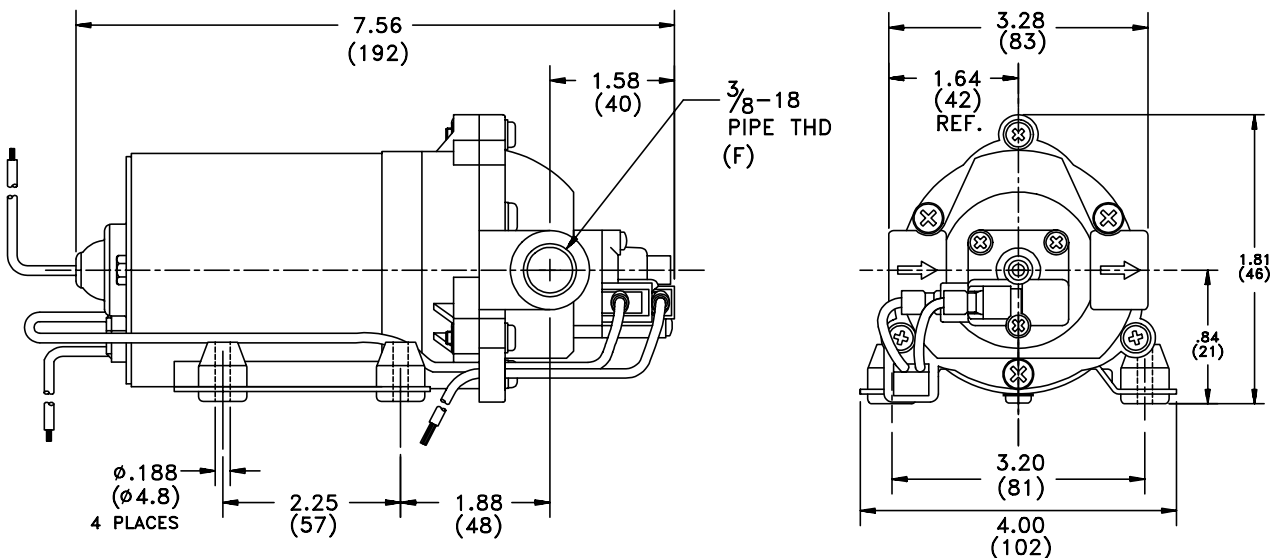


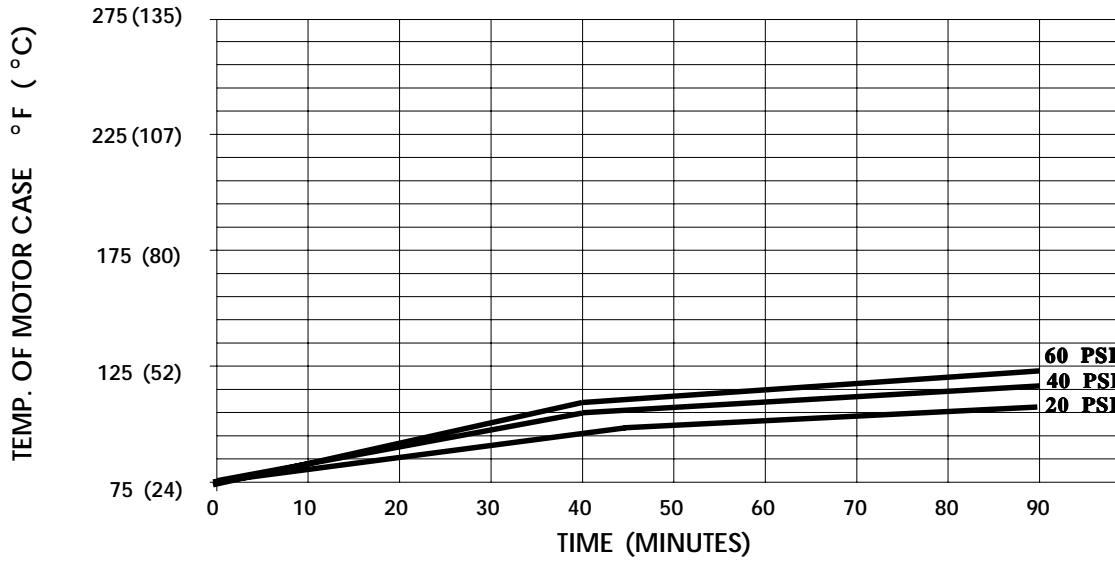
SPECIFICATIONS:

- MODEL NUMBER:** 8000-151-296
- PUMP DESIGN:** Positive Displacement 3 Chamber Diaphragm Pump
- CAM:** 2.0 Degree
- MOTOR:** Permanent Magnet, P/N 11-127-10
- VOLTAGE:** 24 VDC Nominal
- PRESSURE SWITCH:** Adjustable Shut-Off (Range 40-60 PSI)
 Factory Set @ 60 PSI, Turn On 45 PSI ± 5 PSI
- LIQUID TEMPERATURE:** 170 Degrees Fahrenheit (77 Degrees Centigrade) Max.
- PRIME:** Self-Priming Up To 8 Ft. Vertical,
 Max. Inlet Pressure 30 PSI (2.1 Bar)
- PORTS:** 3/8"-18 NPT Female
- MATERIAL OF CONSTRUCTION:**
 - PLASTICS-** Polypropylene
 - VALVES-** Buna-n
 - DIAPHRAGM-** Geolast (Main), Buna-n (Switch)
 - FASTENERS-** Zinc Plated Steel
- NET WEIGHT:** 3.85 Lbs (1.75 Kg)
- DUTY CYCLE:** Intermittent (See Temperature Rise Chart)
- TYPICAL APPLICATIONS:** Soil Extraction
- BYPASS:** 80 PSI Max.

DIMENSIONS:

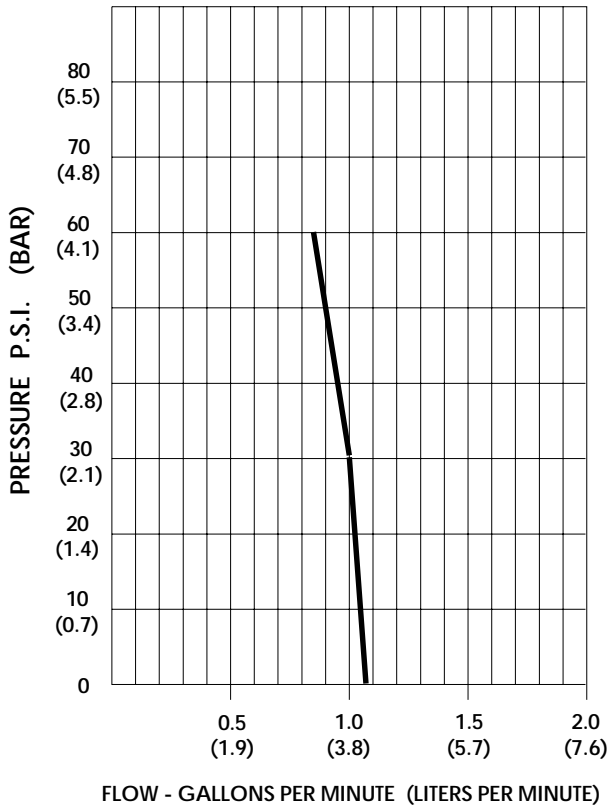


TEMPERATURE RISE



THIS GRAPH IS FOR USE AS A DESIGN GUIDE. IT IS BASED ON RUNNING CONTINUOUSLY WITH AN AMBIENT TEMPERATURE OF 75° F IN STILL AIR.

TYPICAL PERFORMANCE



PRESSURE (PSI)	FLOW (GPM/LIT)	RPM MIN/MAX	CURRENT (AMPS)	VOLTAGE (VOLTS)
OPEN	1.08/4.1	2310/2380	1.1	24 VDC
10	1.06/4.0	2290/2365	1.3	"
20	1.04/3.9	2260/2345	1.5	"
30	1.00/3.8	2235/2310	1.8	"
40	0.97/3.7	2210/2295	2.0	"
50	0.92/3.5	2190/2270	2.2	"
60	0.84/3.2	2170/2250	2.4	"

-SPECIFICATIONS SUBJECT TO CHANGE WITHOUT NOTICE.

-ALL DATA BASED ON TESTING WITH WATER AT AMBIENT TEMPERATURE.