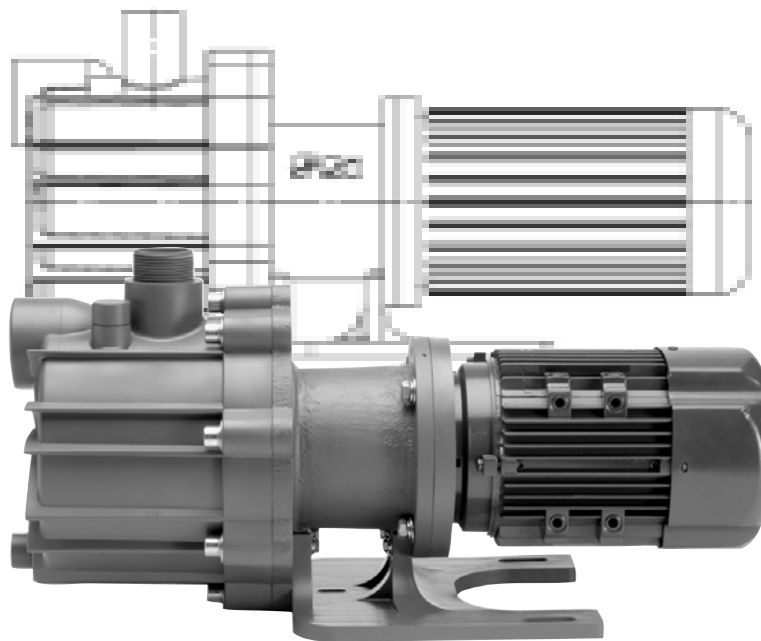


SP SERIES OUTLINE DIMENSIONS

Self-Priming Pumps

Literature ID No. FT06-937, Rev 3



WILHELM KELLER GmbH & Co.KG | Herdweg 1 | 72147 Nehren
www.keller-pumpen.de | info@keller-pumpen.de | +49 (0) 7473 / 9449-0



FINISH THOMPSON INC.

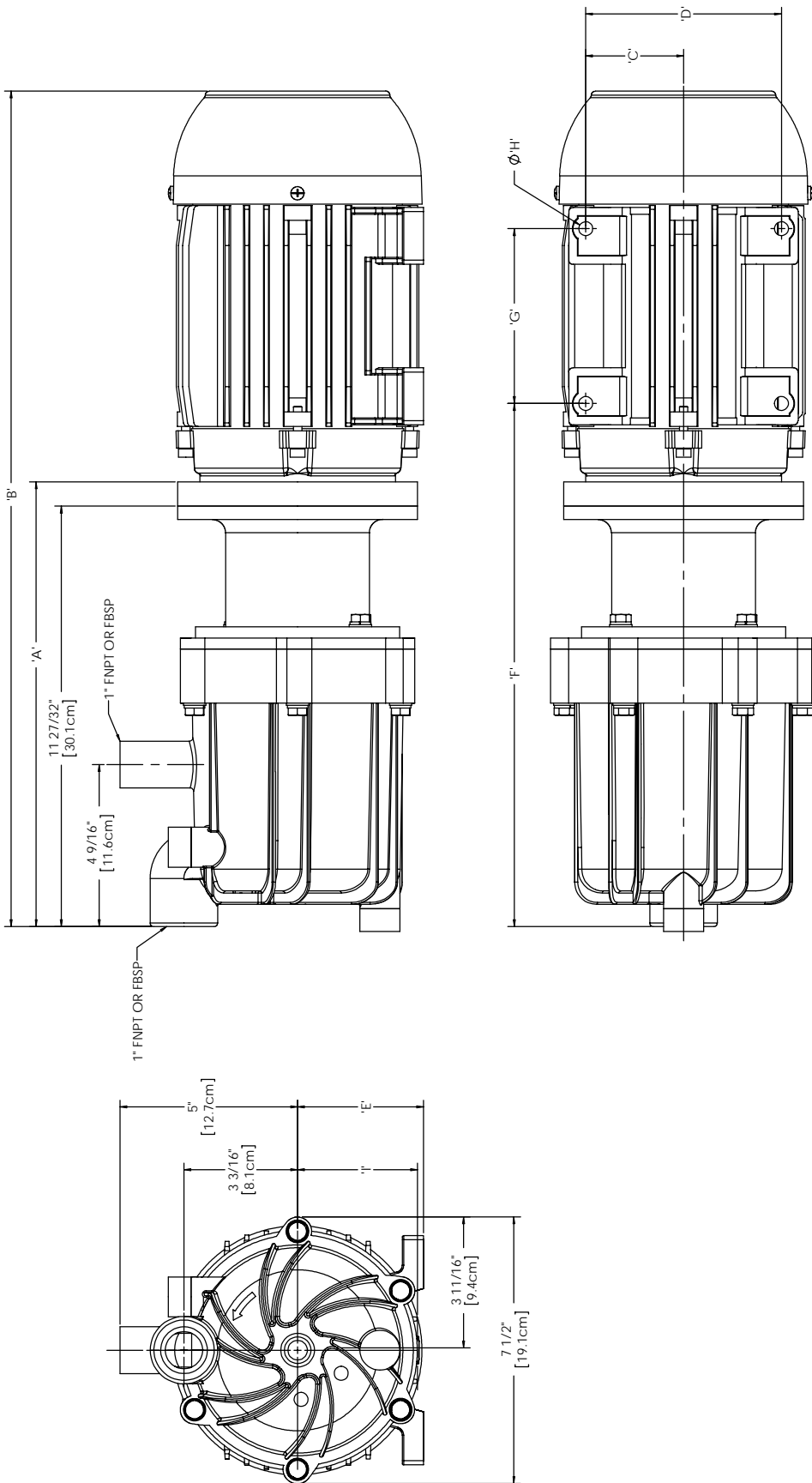


Table of Contents

SP10 Outline Dimensions, Threaded Housing, R100537.....	3
SP10 Outline Dimensions, Union Housing, R100564	4
SP10 Outline Dimensionns, Flanged Housing, R100565.....	5
SP11/15 Outline Dimensions, R100437.....	6
SP11/15 Outline Dimensions, Union Housing, R100438	7
SP11/15 Outline Dimensions, Flanged Housing, R100439.....	8
SP11/15 Outline Dimensions, 80/90 B5 frame, R100465	9
SP11/15 Outline Dimensions, 80/90 B5 frame, Union Housing, R100466.....	10
SP11/15 Outline Dimensions, 80/90 B5 frame, Flanged Housing, R100467	11
SP11/15 Outline Dimensions, 100/112 B5 frame, R100469.....	12
SP11/15 Outline Dimensions, 100/112 B5 frame, Union Housing, R100470	13
SP11/15 Outline Dimensions, 100/112 B5 frame, Flanged Housing, R100471	14
SP22 Outline Dimensions, Threaded Housing, R100538.....	15
SP22 Outline Dimensions, Union Housing, R100539.....	16
SP22 Outline Dimensions, Flanged Housing, R100540.....	17

SP10 Outline Dimensions
Threaded Housing R100537

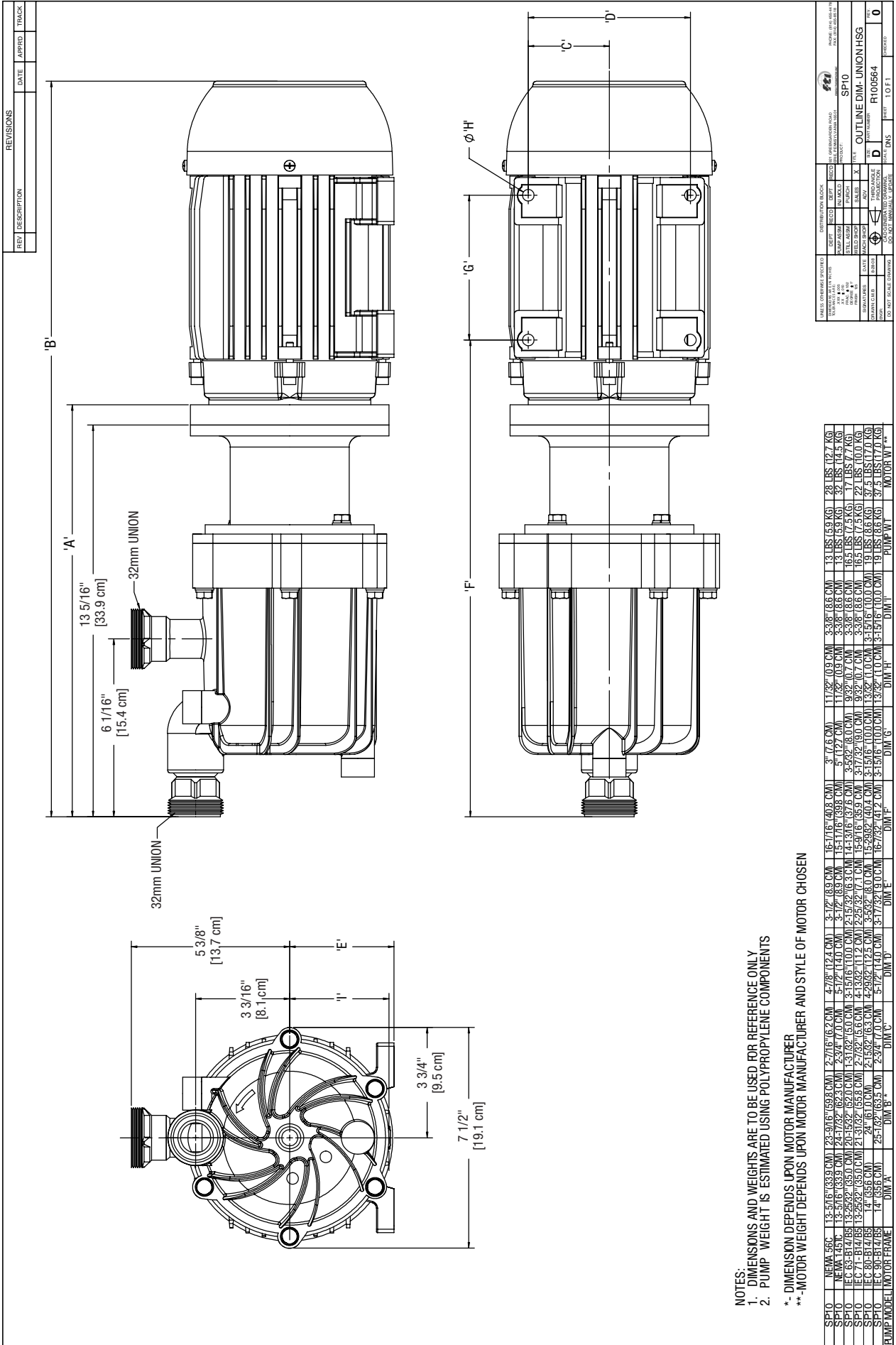
REV	DESCRIPTION	DATE	APP'D	TRK



NOTES:
 1. DIMENSIONS AND WEIGHTS ARE TO BE USED FOR REFERENCE ONLY
 2. PUMP WEIGHT IS ESTIMATED USING POLYPROPYLENE COMPONENTS
 * - DIMENSION DEPENDS UPON MOTOR MANUFACTURER
 ** - MOTOR WEIGHT DEPENDS UPON MOTOR MANUFACTURER AND STYLE OF MOTOR CHOSEN

SP10	NEVA 55C	11-2732* (30.1 CM)	22-332* (56.1 CM)	2-716* (6.2 CM)	4-716* (19.4 CM)	3-12* (8.9 CM)	14-1932* (37.1 CM)	3* (7.6 CM)	1132* (0.9 CM)	3-38* (8.6 CM)	19 LBS (8.9 KG)	28 LBS (12.7 KG)
SP10	NEVA 145TC	11-2732* (30.1 CM)	23-116* (58.6 CM)	2-314* (7.0 CM)	5-12* (14.0 CM)	3-12* (8.9 CM)	14-732* (36.1 CM)	5* (12.7 CM)	1132* (0.9 CM)	3-38* (8.6 CM)	13 LBS (5.9 KG)	32 LBS (14.5 KG)
SP10	IEC 63- B14B5	12-3116* (31.0 CM)	18-3152* (48.2 CM)	1-3132* (5.0 CM)	3-1916* (10.0 CM)	2-1532* (6.3 CM)	13-516* (33.8 CM)	3-532* (8.0 CM)	932* (0.7 CM)	3-38* (8.6 CM)	16.5 LBS (7.5 KG)	17 LBS (7.7 KG)
SP10	IEC 71- B14B5	12-3116* (31.0 CM)	20-12* (52.0 CM)	2-732* (5.6 CM)	4-1932* (11.2 CM)	2-2532* (7.1 CM)	14-116* (36.7 CM)	3-1732* (9.0 CM)	932* (0.7 CM)	3-38* (8.6 CM)	16.5 LBS (7.5 KG)	22 LBS (10.0 KG)
SP10	IEC 80- B14B5	12-1732* (31.8 CM)	21-314* (55.2 CM)	2-1932* (6.3 CM)	4-2932* (12.5 CM)	3-532* (8.0 CM)	14-716* (36.7 CM)	3-1516* (10.0 CM)	1332* (1.0 CM)	3-1516* (10.0 CM)	19 LBS (8.6 KG)	37.5 LBS (17.0 KG)
SP10	IEC 90- B14B5	12-1732* (31.8 CM)	23-1732* (59.8 CM)	2-314* (7.0 CM)	5-12* (14.0 CM)	3-1732* (9.0 CM)	14-2932* (37.4 CM)	3-1516* (10.0 CM)	1332* (1.0 CM)	3-1516* (10.0 CM)	19 LBS (8.6 KG)	37.5 LBS (17.0 KG)
PUMP MODEL	MOTOR FRAME	DIM 'A'	DIM 'B' *	DIM 'C'	DIM 'D'	DIM 'E'	DIM 'F'	DIM 'G'	DIM 'H'	DIM 'I'	PUMP WT	MOTOR WT **

UNITS: DIMENSIONS IN PARENTHESIS TOLERANCES: FRACTIONS DECIMALS SURFACE FINISH: MILL FINISH MATERIALS: STAINLESS STEEL FINISH: POLYURETHANE PAINT COLOUR: RAL 7035 DRAWING CODE: SP10	DISTRIBUTION BLOCK: TYPE: X SIZE: X MOUNTING: X SALES: X THREADED: X DIMENSIONS: X DO NOT MANUALLY REPEAT	NAME: SP10 PART NUMBER: R100537 DIMENSIONS: D
---	--	---



REV	DESCRIPTION	DATE	APPROV	TRACK

UNITS OF DIMENSIONS (SI UNITS)	UNITS OF DIMENSIONS (US UNITS)	UNITS OF DIMENSIONS (SI UNITS)	UNITS OF DIMENSIONS (US UNITS)
LENGTH	MM	LENGTH	IN
AREA	CM ²	AREA	IN ²
VOLUME	CM ³	VOLUME	IN ³
WEIGHT	KG	WEIGHT	LBS

UNITS OF DIMENSIONS (SI UNITS)	UNITS OF DIMENSIONS (US UNITS)
LENGTH	MM
AREA	CM ²
VOLUME	CM ³
WEIGHT	KG

UNITS OF DIMENSIONS (SI UNITS)	UNITS OF DIMENSIONS (US UNITS)
LENGTH	MM
AREA	CM ²
VOLUME	CM ³
WEIGHT	KG

UNITS OF DIMENSIONS (SI UNITS)	UNITS OF DIMENSIONS (US UNITS)
LENGTH	MM
AREA	CM ²
VOLUME	CM ³
WEIGHT	KG

UNITS OF DIMENSIONS (SI UNITS)	UNITS OF DIMENSIONS (US UNITS)
LENGTH	MM
AREA	CM ²
VOLUME	CM ³
WEIGHT	KG

UNITS OF DIMENSIONS (SI UNITS)	UNITS OF DIMENSIONS (US UNITS)
LENGTH	MM
AREA	CM ²
VOLUME	CM ³
WEIGHT	KG

UNITS OF DIMENSIONS (SI UNITS)	UNITS OF DIMENSIONS (US UNITS)
LENGTH	MM
AREA	CM ²
VOLUME	CM ³
WEIGHT	KG

UNITS OF DIMENSIONS (SI UNITS)	UNITS OF DIMENSIONS (US UNITS)
LENGTH	MM
AREA	CM ²
VOLUME	CM ³
WEIGHT	KG

UNITS OF DIMENSIONS (SI UNITS)	UNITS OF DIMENSIONS (US UNITS)
LENGTH	MM
AREA	CM ²
VOLUME	CM ³
WEIGHT	KG

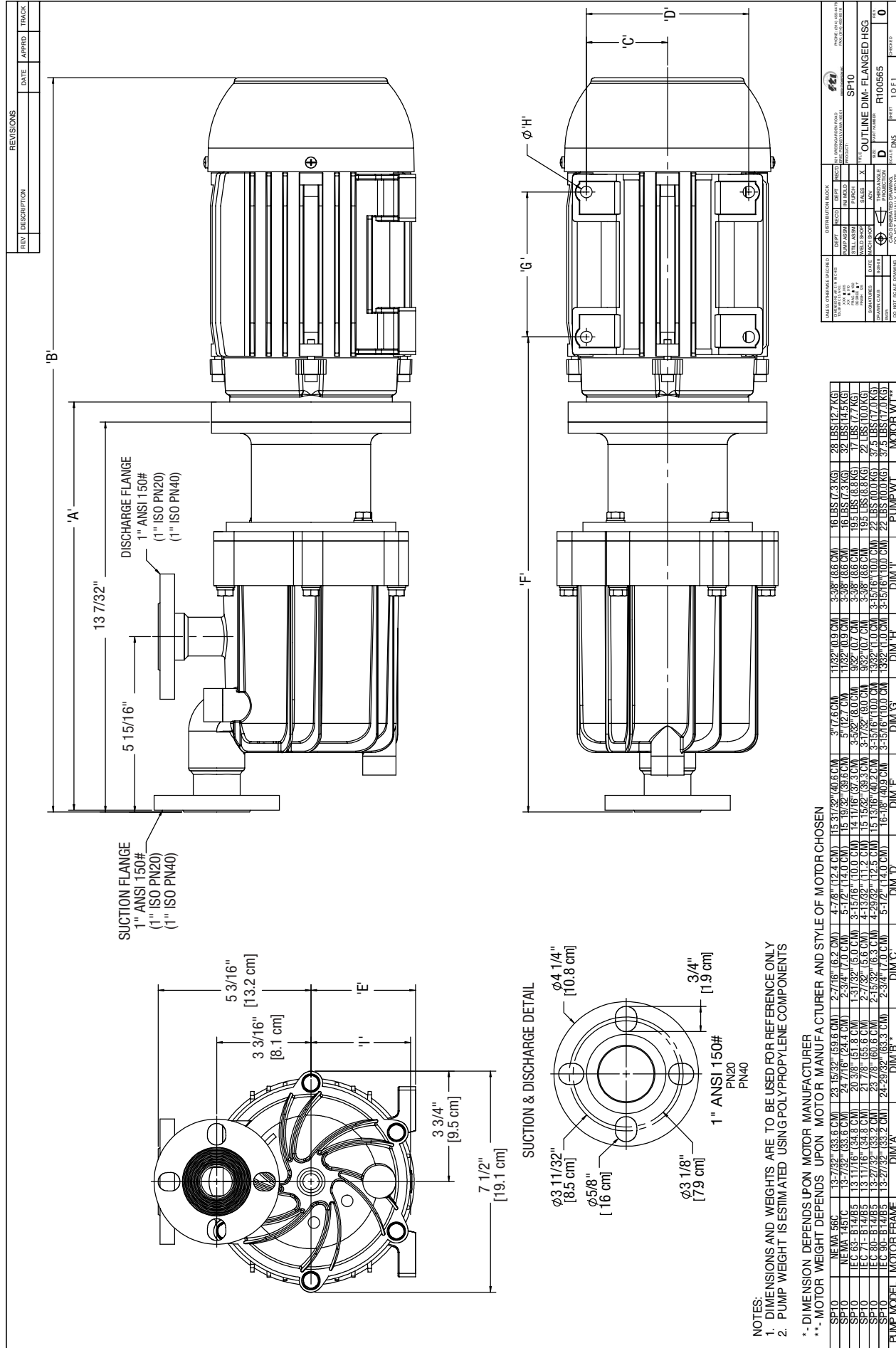
UNITS OF DIMENSIONS (SI UNITS)	UNITS OF DIMENSIONS (US UNITS)
LENGTH	MM
AREA	CM ²
VOLUME	CM ³
WEIGHT	KG

NOTES:
 1. DIMENSIONS AND WEIGHTS ARE TO BE USED FOR REFERENCE ONLY
 2. PUMP WEIGHT IS ESTIMATED USING POLYPROPYLENE COMPONENTS

*- DIMENSION DEPENDS UPON MOTOR MANUFACTURER AND STYLE OF MOTOR CHOSEN
 **- MOTOR WEIGHT DEPENDS UPON MOTOR MANUFACTURER AND STYLE OF MOTOR CHOSEN



SP10 Outline Dimensions
Flanged Housing - R100565



REV	DESCRIPTION	DATE	APPROV	TRACK

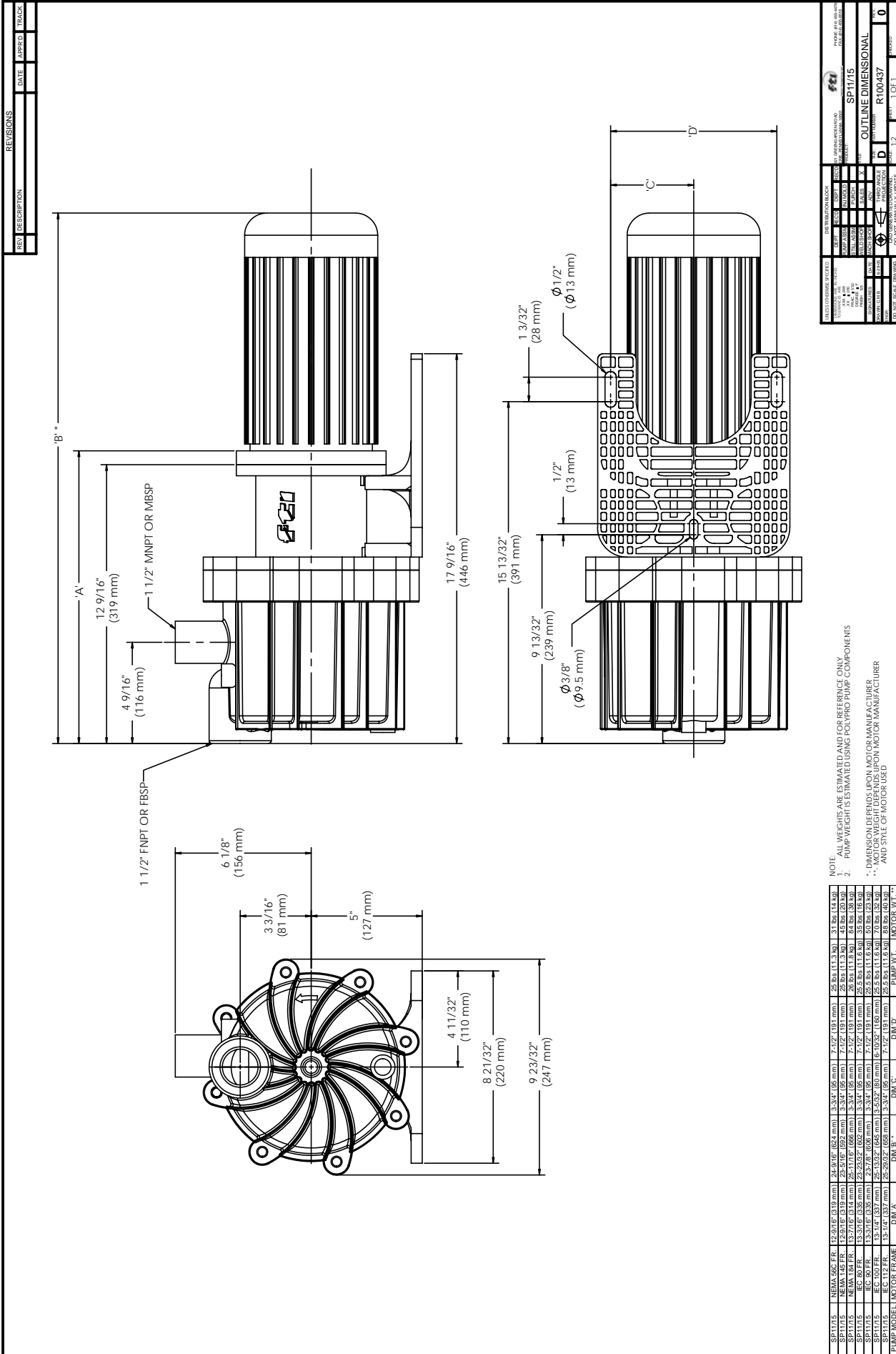
MATERIALS		DISTRIBUTION BLOCK		DRAWING NUMBER	
CAST IRON	STAINLESS STEEL	CAST IRON	STAINLESS STEEL	SP10	SP10
BRASS	ALUMINUM	BRASS	ALUMINUM	OUTLINE DIM.-FLANGED HSG	R100565

PUMP MODEL	MOTOR FRAME	DIM A	DIM B	DIM C	DIM D	DIM E	DIM F	DIM G	DIM H	DIM I	PUMP WT	MOTOR WT	
SP10	NEMA 56C	13-7/32"	33.8 cm	23.15/32"	59.6 cm	2-7/16"	6.2 cm	4-7/8"	12.4 cm	15.31/32"	40.6 cm	3-3/8"	8.6 cm
SP10	NEMA 445TC	13-7/32"	33.8 cm	24.7/16"	62.4 cm	5-1/2"	14.0 cm	5-1/2"	14.0 cm	15.19/32"	39.5 cm	3-3/8"	8.6 cm
SP10	IEC 63-B14/65	13-11/16"	34.8 cm	20.3/8"	51.8 cm	1-31/32"	5.0 cm	3-15/16"	10.0 cm	14.11/16"	37.3 cm	3-5/32"	8.0 cm
SP10	IEC 71-B14/65	13-11/16"	34.8 cm	21.7/8"	55.6 cm	2-7/32"	6.8 cm	4-13/32"	11.2 cm	15.15/32"	39.3 cm	3-17/32"	9.0 cm
SP10	IEC 80-B14/65	13-27/32"	33.2 cm	23.7/8"	60.6 cm	2-15/32"	6.3 cm	4-29/32"	12.5 cm	15.13/16"	40.2 cm	3-15/16"	10.0 cm
SP10	IEC 90-B14/65	13-27/32"	33.2 cm	24-29/32"	63.3 cm	5-1/2"	14.0 cm	16-7/8"	40.9 cm	15.31/16"	40.0 cm	3-15/16"	10.0 cm

NOTES:
1. DIMENSIONS AND WEIGHTS ARE TO BE USED FOR REFERENCE ONLY
2. PUMP WEIGHT IS ESTIMATED USING POLYPROPYLENE COMPONENTS

*- DIMENSION DEPENDS UPON MOTOR MANUFACTURER
**- MOTOR WEIGHT DEPENDS UPON MOTOR MANUFACTURER AND STYLE OF MOTOR CHOSEN





NOTE:
 1. ALL WEIGHTS ARE ESTIMATED AND FOR REFERENCE ONLY.
 2. PUMP WEIGHT IS ESTIMATED USING POLYPRO PUMP COMPONENTS.
 * DIMENSION DEFENDS UPON MOTOR MANUFACTURER.
 ** MOTOR WEIGHT DEFENDS UPON MOTOR MANUFACTURER AND STYLE OF MOTOR USED.

PUMP MODEL	MOTOR FRAME	DM1A	DM1B	DM1C	DM1D	PUMP WT.	MOTOR WT.
SP11/15	NEMA 56C FR.	12-2016 (319 mm)	26-9116 (664 mm)	3-3347 (85 mm)	7-1127 (181 mm)	26 lbs (11.3 kg)	31 lbs (14.0 kg)
SP11/15	NEMA 145 FR.	12-2016 (319 mm)	22-5116 (562 mm)	3-3347 (85 mm)	7-1127 (181 mm)	26 lbs (11.3 kg)	45 lbs (20.4 kg)
SP11/15	NEMA 154 FR.	13-7116 (334 mm)	22-5116 (562 mm)	3-3347 (85 mm)	7-1127 (181 mm)	26 lbs (11.3 kg)	84 lbs (38.1 kg)
SP11/15	IEC 90 FR.	13-3116 (330 mm)	22-5116 (562 mm)	3-3347 (85 mm)	7-1127 (181 mm)	26 lbs (11.3 kg)	30 lbs (13.6 kg)
SP11/15	IEC 100 FR.	13-1417 (337 mm)	22-5116 (562 mm)	3-3347 (85 mm)	7-1127 (181 mm)	26 lbs (11.3 kg)	30 lbs (13.6 kg)
SP11/15	IEC 112 FR.	13-1417 (337 mm)	22-5116 (562 mm)	3-3347 (85 mm)	7-1127 (181 mm)	26 lbs (11.3 kg)	30 lbs (13.6 kg)

REV	DESCRIPTION	DATE	APPROV	TRACK

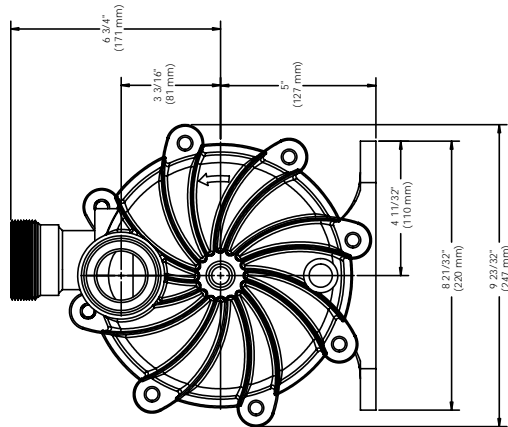
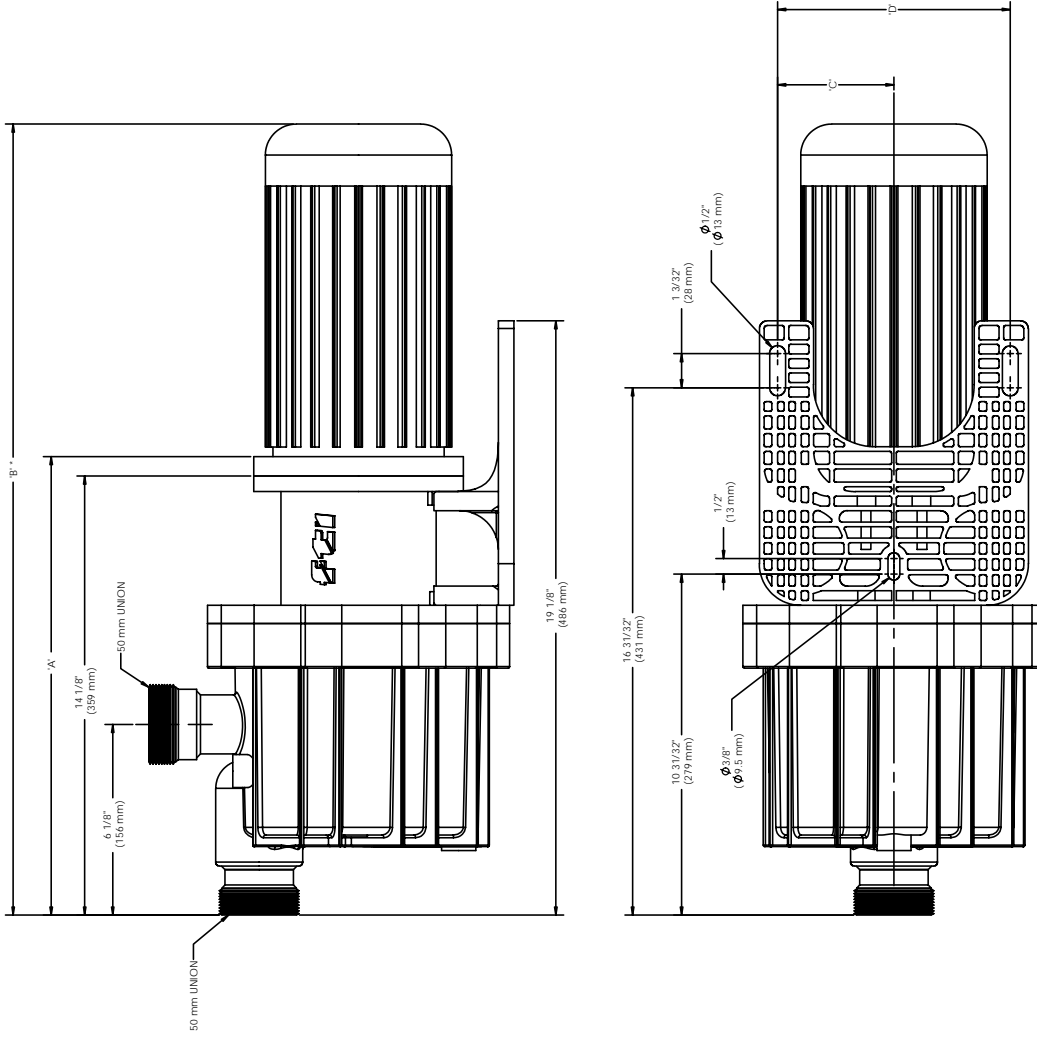
UNITS	CONVERSION SYSTEM	CONVERSION FACTOR	UNITS	CONVERSION FACTOR
INCHES	MILLIMETERS	25.4	MILLIMETERS	0.03937
FEET	METERS	304.8	METERS	3.28084

PROJECT NUMBER	PROJECT NAME	DATE	SCALE
SP11/15	OUTLINE DIMENSIONAL		

NO.	REV.	DESCRIPTION	DATE	BY	CHK.

SP11/15 Outline Dimensions
 Union Housing - R100438

REV	DESCRIPTION	DATE	APPROV	TRACK



UNITS		DESIGNATION BLOCK		NAME	
UNIT	DESCRIPTION	UNIT	DESCRIPTION	UNIT	DESCRIPTION
mm	mm	mm	mm	mm	mm
inch	inch	inch	inch	inch	inch

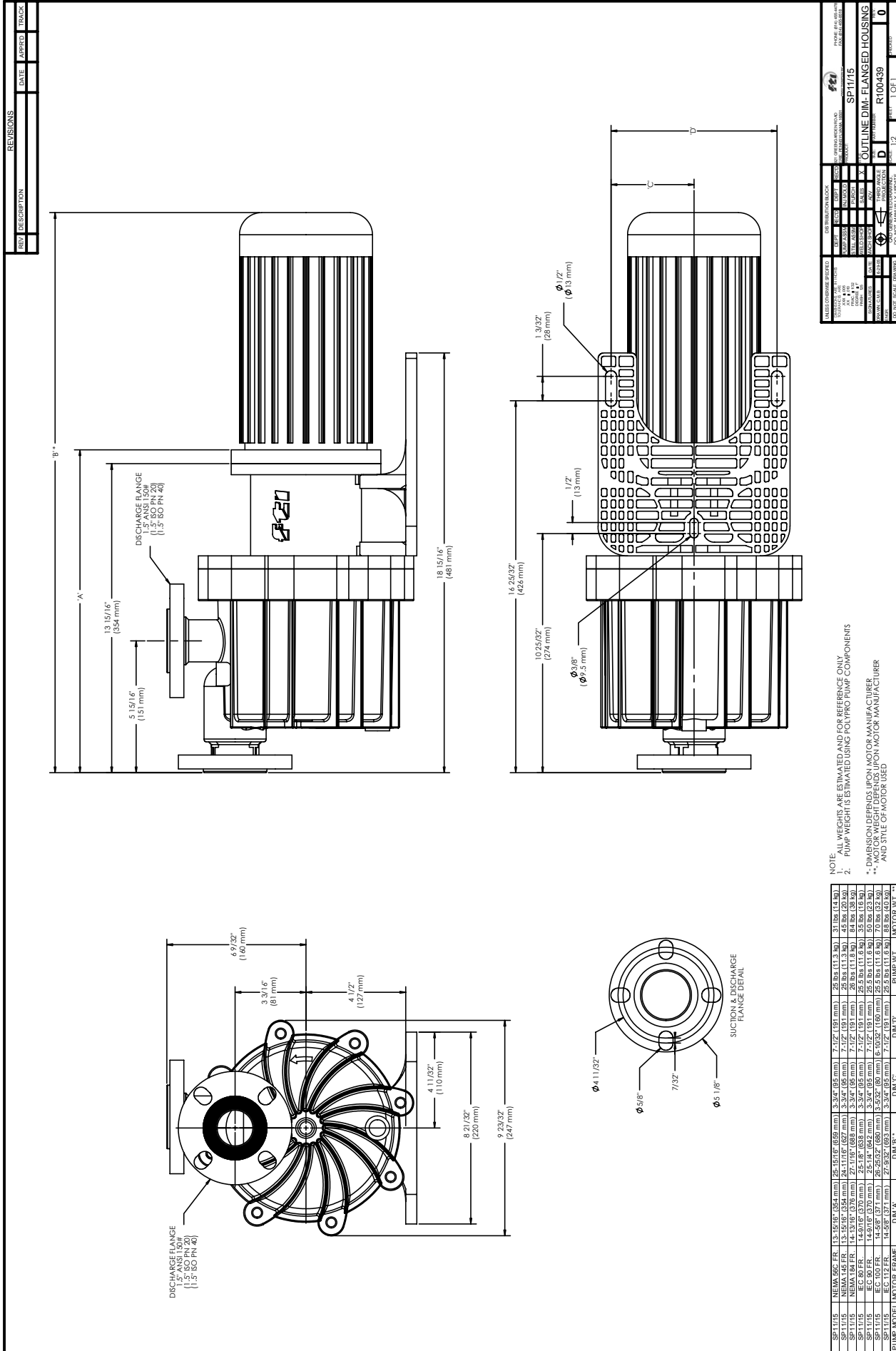
PROJECT	DATE	SCALE	NO.	REV.
SP11/15				

PROJECT	DATE	SCALE	NO.	REV.
OUTLINE DIM-UNION HOUSING				

PROJECT	DATE	SCALE	NO.	REV.
R100438				

NOTE:
 1. ALL WEIGHTS ARE ESTIMATED AND FOR REFERENCE ONLY.
 2. PUMP WEIGHT IS ESTIMATED USING POLYPRO PUMP COMPONENTS.
 ** DIMENSION DEFENDS UPON MOTOR MANUFACTURER
 AND STYLE OF MOTOR USED

PUMP MODEL	MOTOR FRAME	DM A	DM B*	DM C	DM D	PUMP WT.	MOTOR WT.**
SP11/15	NEVA 56C FR	14.1/8" (359 mm)	26.7/8" (682 mm)	3.3/4" (95 mm)	7.1/2" (191 mm)	25 lbs (11.3 kg)	31 lbs (14.1 kg)
SP11/15	NEVA 56E FR	14.1/8" (359 mm)	26.7/8" (682 mm)	3.3/4" (95 mm)	7.1/2" (191 mm)	25 lbs (11.3 kg)	46 lbs (20.9 kg)
SP11/15	NEVA 56A FR	15.9/32" (408 mm)	27.1/4" (692 mm)	3.3/4" (95 mm)	7.1/2" (191 mm)	26 lbs (11.8 kg)	54 lbs (24.5 kg)
SP11/15	EC 80T FR	14.3/4" (375 mm)	26.9/32" (684 mm)	3.3/4" (95 mm)	7.1/2" (191 mm)	25.5 lbs (11.6 kg)	36 lbs (16.3 kg)
SP11/15	EC 100 FR	14.3/16" (376 mm)	26.3/32" (665 mm)	3.3/4" (95 mm)	8.1/32" (160 mm)	25.5 lbs (11.6 kg)	70 lbs (31.8 kg)
SP11/15	EC 112 FR	15.1/16" (381 mm)	27.15/32" (689 mm)	3.3/4" (95 mm)	7.1/2" (191 mm)	25.5 lbs (11.6 kg)	80 lbs (36.3 kg)



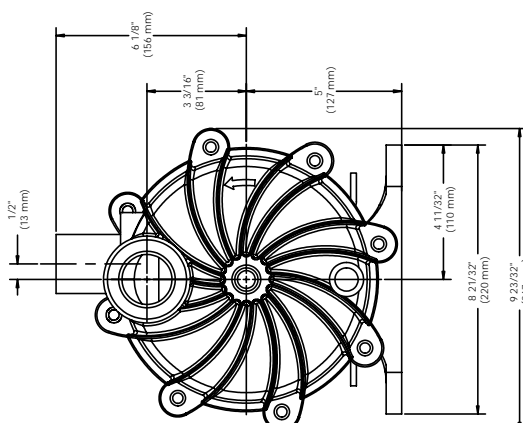
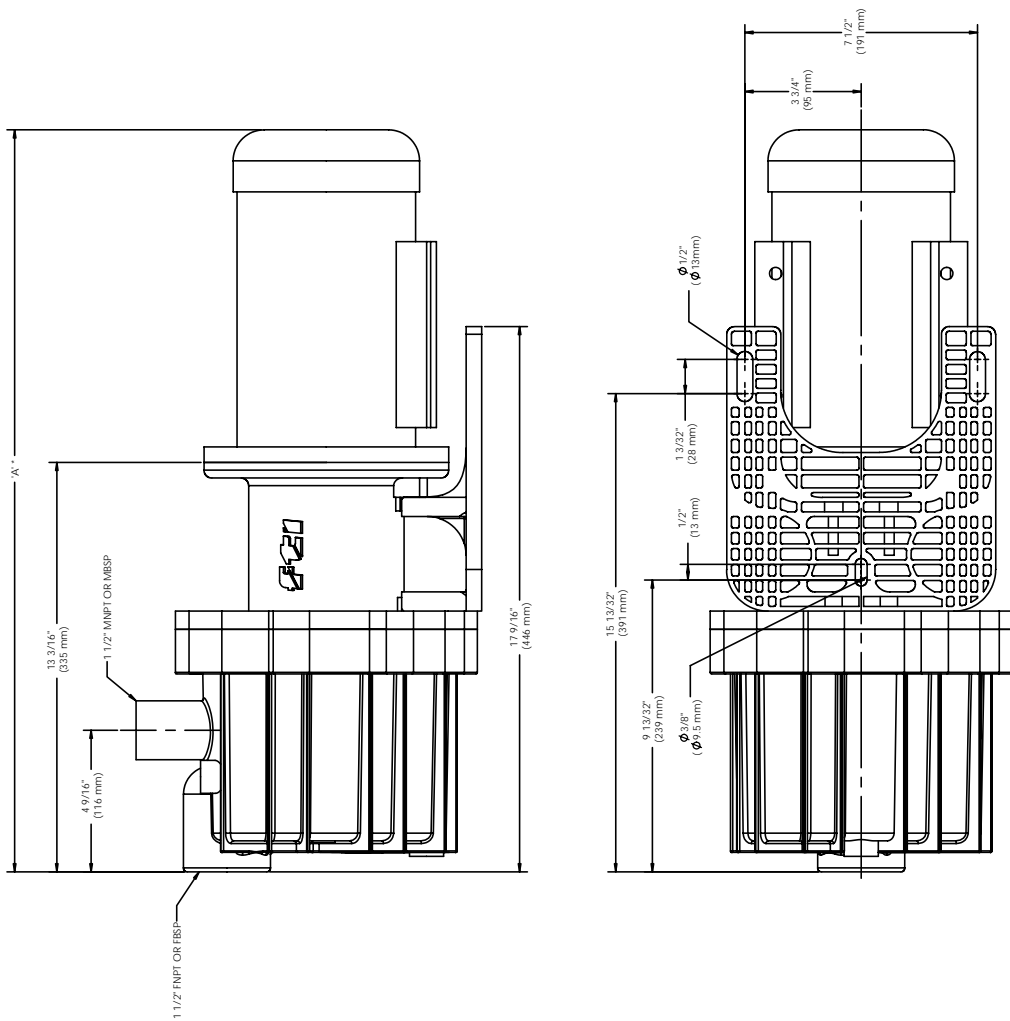
NOTE:
 1. ALL WEIGHTS ARE ESTIMATED AND FOR REFERENCE ONLY.
 2. PUMP WEIGHT IS ESTIMATED USING POLYPRO PUMP COMPONENTS.
 * DIMENSION DEPENDS UPON MOTOR MANUFACTURER.
 ** MOTOR WEIGHT DEPENDS UPON MOTOR MANUFACTURER AND STYLE OF MOTOR USED.

REVISIONS	REV	DESCRIPTION	DATE	APPROVED	TRACK

DESIGNER	DATE	SCALE	PROJECTION	STANDARD	PROJECT
SP11/15					
OUTLINE DIM - FLANGED HOUSING					
R100439					
1					



REV	DESCRIPTION	DATE	APPROVED	TRACK



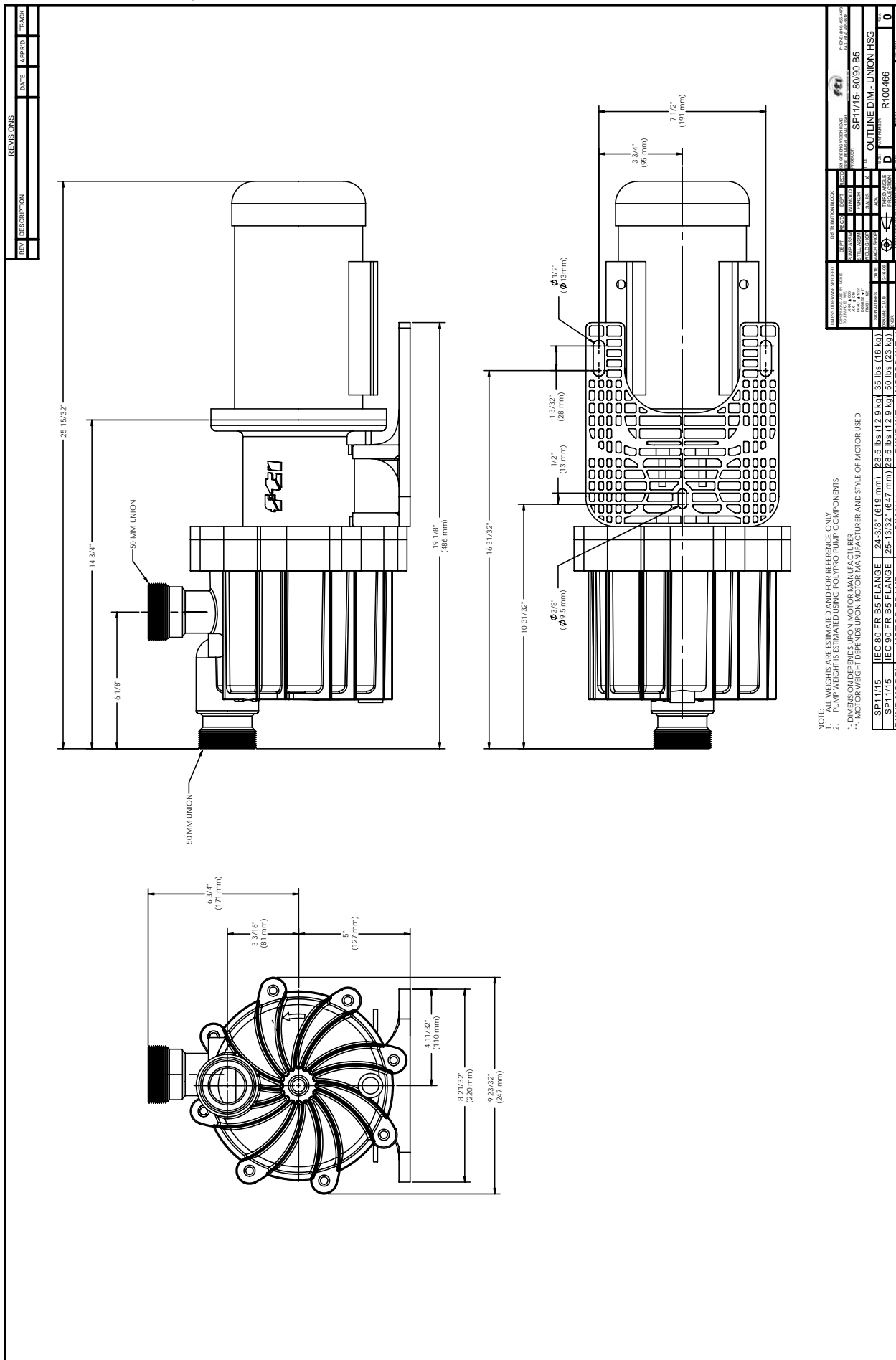
NOTE:
1. WEIGHTS ARE ESTIMATED AND FOR REFERENCE ONLY.
2. PUMP WEIGHT IS ESTIMATED USING POLYURO PUMP COMPONENTS
* DIMENSION DEFENDS IRON MOTOR MANUFACTURER.
** MOTORWEIGHT DEFENDS UPON MOTOR MANUFACTURER AND STYLE OF MOTOR USED

PUMP MODEL	MOTOR FRAME	DIM. A *	PUMP WT	MOTOR WT **
SP11/15	IEC 80 FR B5 FLANGE	22-25/32" (578 mm)	28.5 lbs (12.9 kg)	35 lbs (16 kg)
SP11/15	IEC 90 FR B5 FLANGE	23-7/8" (606 mm)	28.5 lbs (12.9 kg)	50 lbs (23 kg)

DESIGNATION BLOCK	REVISION	DATE	APPROVED	TRACK

SP11/15-80/90 B5
OUTLINE DIMENSIONAL
R100465
D

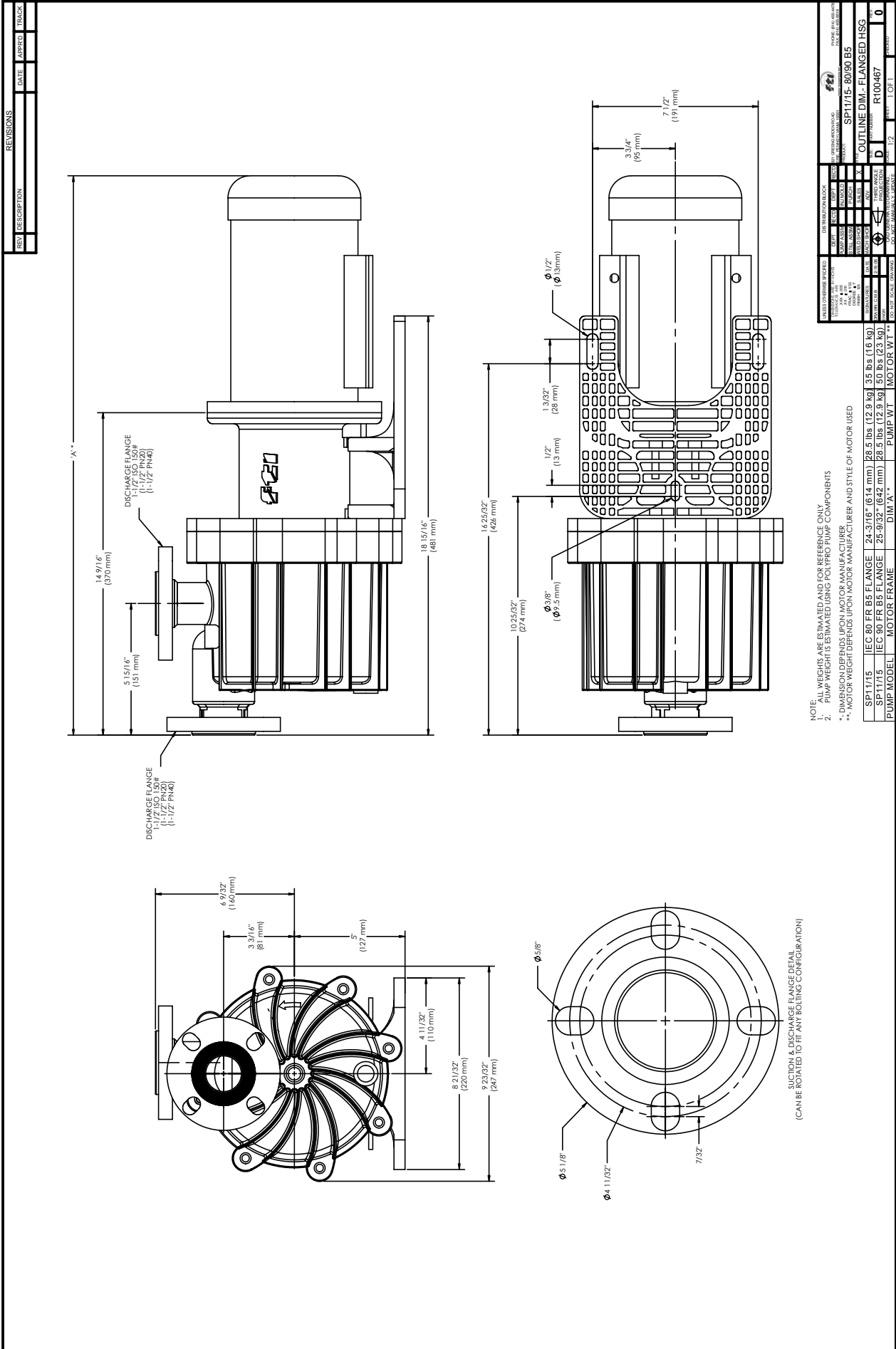


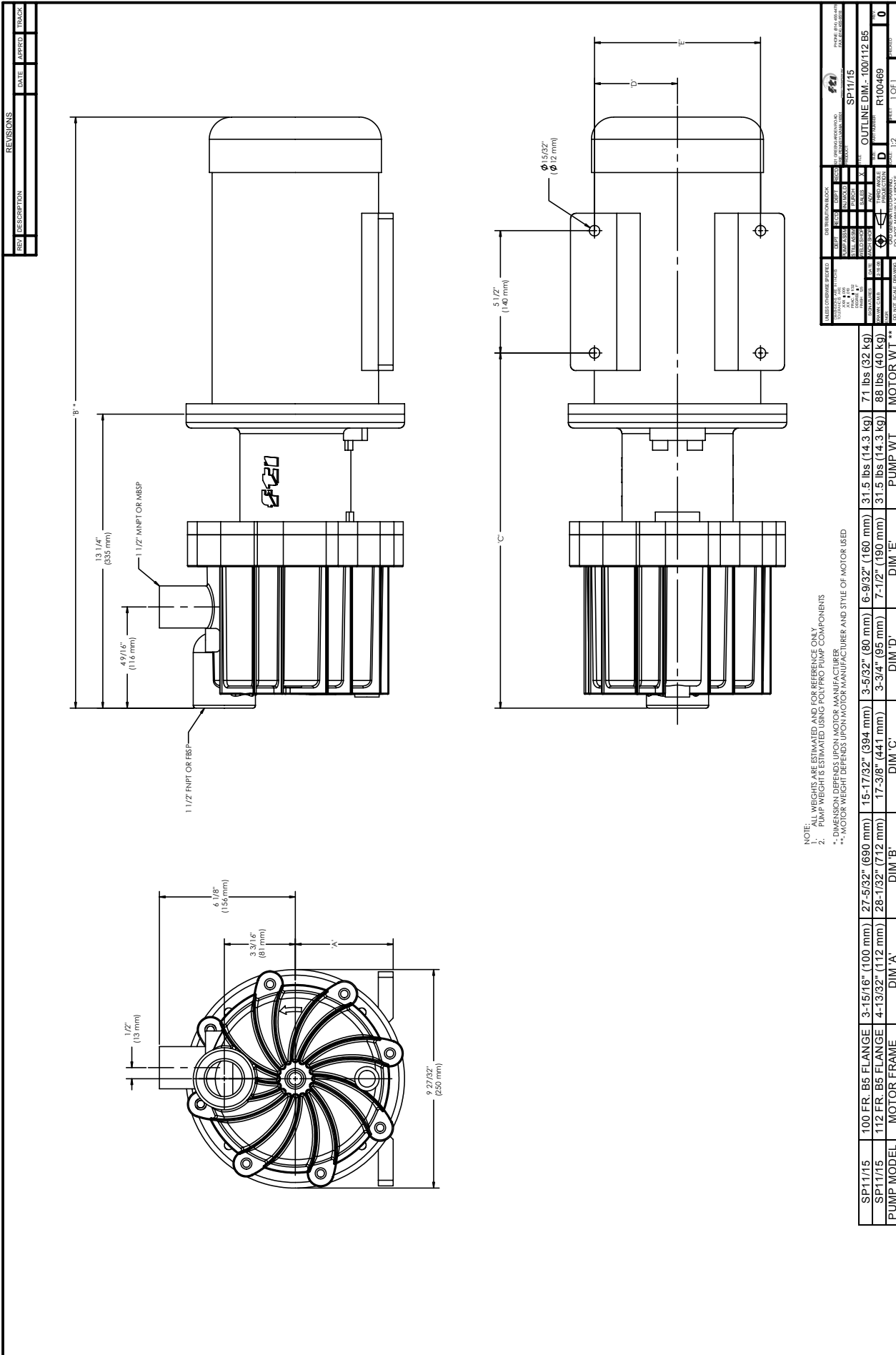


NOTE:
1. ALL WEIGHTS ARE ESTIMATED AND FOR REFERENCE ONLY.
2. PUMP WEIGHT IS ESTIMATED USING POLYPRO PUMP COMPONENTS.
*. DIMENSION DEPENDS UPON MOTOR MANUFACTURER
**. MOTOR WEIGHT DEPENDS UPON MOTOR MANUFACTURER AND STYLE OF MOTOR USED

SP11/15	IEC 80 FR B5 FLANGE	24-3/8" (619 mm)	28.5 lbs. (12.9 kg)	35 lbs. (16 kg)
SP11/15	IEC 90 FR B5 FLANGE	25-13/32" (647 mm)	28.5 lbs. (12.9 kg)	50 lbs. (23 kg)

REVISIONS	DATE	APPROVED	TRACK												
<table border="1"> <tr> <td>SELECT CHANGES BY TYPE</td> <td>DESCRIPTION</td> <td>DATE</td> <td>BY</td> </tr> <tr> <td> </td> <td> </td> <td> </td> <td> </td> </tr> <tr> <td> </td> <td> </td> <td> </td> <td> </td> </tr> </table>				SELECT CHANGES BY TYPE	DESCRIPTION	DATE	BY								
SELECT CHANGES BY TYPE	DESCRIPTION	DATE	BY												
TITLE: SP11/15-80/90 B5 OUTLINE DIM.- UNION HSG			PART NO.: R100466												
DRAWN BY: [Signature] CHECKED BY: [Signature]			DATE: 12-01-17												
SHEET NO.: 1 OF 1			TOTAL SHEETS: 1												





REVISIONS		DATE	APPROVED	TRACK
REV	DESCRIPTION			

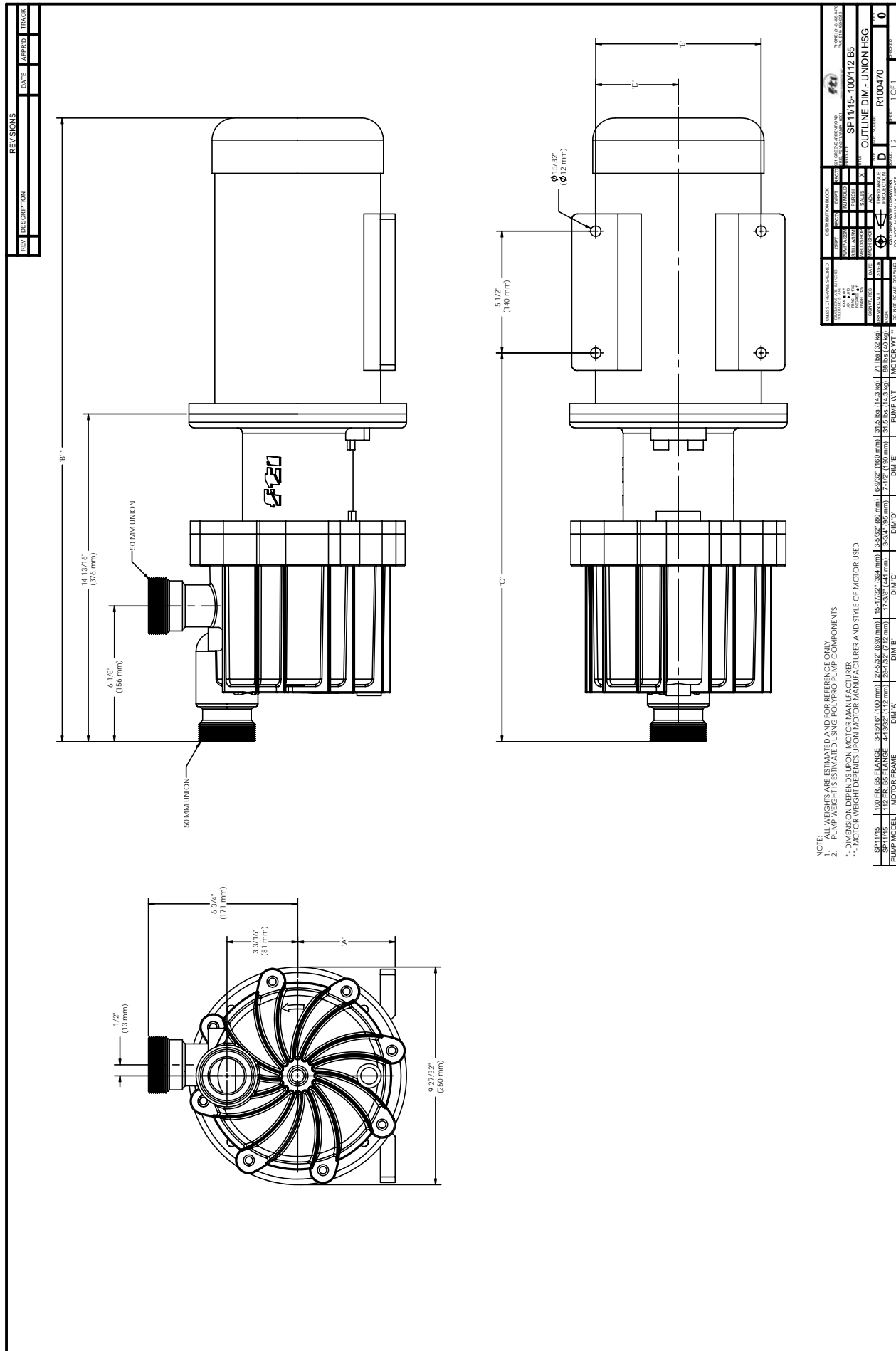
NOTE:
1. WEIGHTS ARE ESTIMATED AND FOR REFERENCE ONLY.
2. PUMP WEIGHT IS ESTIMATED USING POLYPRO PUMP COMPONENTS.
* DIMENSION DEPENDS UPON MOTOR MANUFACTURER.
** MOTOR WEIGHT DEPENDS UPON MOTOR MANUFACTURER AND STYLE OF MOTOR USED.

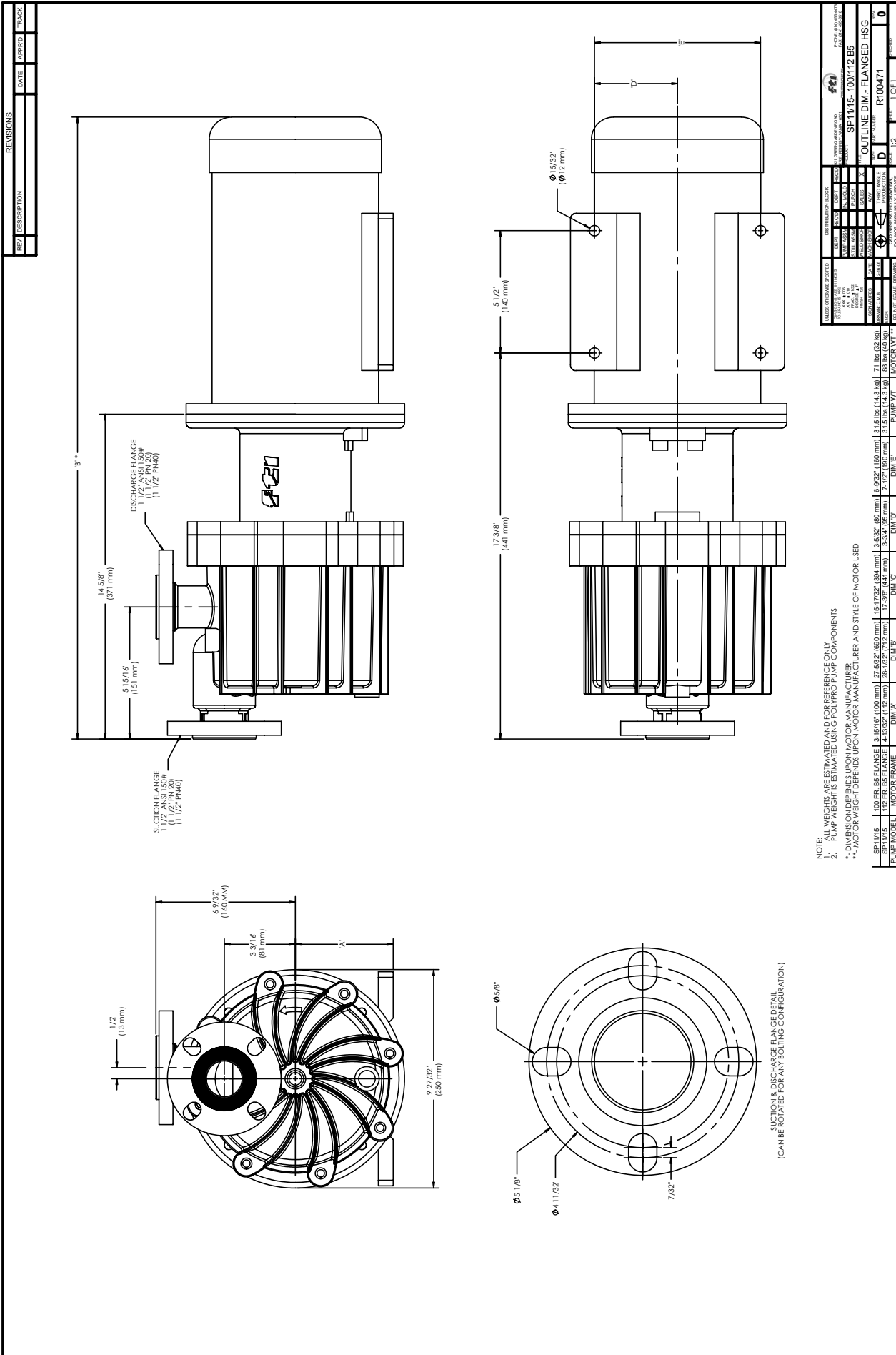
PUMP MODEL	MOTOR FRAME	DIM 'A'	DIM 'B'	DIM 'C'	DIM 'D'	DIM 'E'	PUMP WT	MOTOR WT **
SP11/15	100 FR. B5 FLANGE	3-15/16" (100 mm)	27-5/32" (690 mm)	15-17/32" (394 mm)	3-5/32" (80 mm)	6-9/32" (160 mm)	31.5 lbs (14.3 kg)	7.1 lbs (3.2 kg)
SP11/15	112 FR. B5 FLANGE	4-13/32" (112 mm)	28-1/32" (712 mm)	17-3/8" (441 mm)	3-3/4" (95 mm)	7-1/2" (190 mm)	88 lbs (40 kg)	

KELLER DIMENSION SYSTEMS		DISTRIBUTION BLOCK		DRAWING NUMBER		REV. NO.	
UNIT	INCHES	UNIT	INCHES	UNIT	INCHES	UNIT	INCHES
SCALE	AS SHOWN	SCALE	AS SHOWN	SCALE	AS SHOWN	SCALE	AS SHOWN
PROJECT	SP11/15	PROJECT	SP11/15	PROJECT	SP11/15	PROJECT	SP11/15
DESCRIPTION	OUTLINE DIM.-100/112 B5	DESCRIPTION	OUTLINE DIM.-100/112 B5	DESCRIPTION	OUTLINE DIM.-100/112 B5	DESCRIPTION	OUTLINE DIM.-100/112 B5
DATE		DATE		DATE		DATE	
DESIGNED BY		DESIGNED BY		DESIGNED BY		DESIGNED BY	
CHECKED BY		CHECKED BY		CHECKED BY		CHECKED BY	
APPROVED BY		APPROVED BY		APPROVED BY		APPROVED BY	
DATE		DATE		DATE		DATE	
REV. NO.	0	REV. NO.	0	REV. NO.	0	REV. NO.	0
KELLER PUMPEN GMBH & CO. KG		KELLER PUMPEN GMBH & CO. KG		KELLER PUMPEN GMBH & CO. KG		KELLER PUMPEN GMBH & CO. KG	
RUEBELSTRASSE 11		RUEBELSTRASSE 11		RUEBELSTRASSE 11		RUEBELSTRASSE 11	
42699 SOEST, GERMANY		42699 SOEST, GERMANY		42699 SOEST, GERMANY		42699 SOEST, GERMANY	
TEL: +49 (0) 5741 94-40		TEL: +49 (0) 5741 94-40		TEL: +49 (0) 5741 94-40		TEL: +49 (0) 5741 94-40	
FAX: +49 (0) 5741 94-41		FAX: +49 (0) 5741 94-41		FAX: +49 (0) 5741 94-41		FAX: +49 (0) 5741 94-41	
E-MAIL: info@keller-pumpen.de		E-MAIL: info@keller-pumpen.de		E-MAIL: info@keller-pumpen.de		E-MAIL: info@keller-pumpen.de	
WWW: www.keller-pumpen.de		WWW: www.keller-pumpen.de		WWW: www.keller-pumpen.de		WWW: www.keller-pumpen.de	
DRAWING NO. R100469		DRAWING NO. R100469		DRAWING NO. R100469		DRAWING NO. R100469	
REV. NO. 0		REV. NO. 0		REV. NO. 0		REV. NO. 0	
PAGE 1 OF 1		PAGE 1 OF 1		PAGE 1 OF 1		PAGE 1 OF 1	



WILHELM KELLER GmbH & Co.KG | Herdweg 1 | 72147 Nehren
www.keller-pumpen.de | info@keller-pumpen.de | +49 (0) 7473 / 9449-0





NOTE:
 1. WEIGHTS ARE ESTIMATED AND FOR REFERENCE ONLY.
 2. ALL WEIGHTS ESTIMATED FOR PREFERRED CONFIGURATIONS.
 * DIMENSIONS REFER TO MOTOR MANUFACTURER'S DRAWINGS.
 ** MOTOR WEIGHT DEPENDS UPON MOTOR MANUFACTURER AND STYLE OF MOTOR USED.

MODEL	FR. FLANGE	DS. FLANGE	FR. DIA.	DS. DIA.	FR. HGT.	DS. HGT.	FR. DIA. (IN)	DS. DIA. (IN)	FR. HGT. (IN)	DS. HGT. (IN)
SP11/15	100 FR. B5 FLANGE	3.56167 (90.0 mm)	27.562 (704 mm)	15.71927 (398 mm)	3.562 (90 mm)	6.932 (180 mm)	3.15 (12.6)	3.15 (12.6)	7.1 (28.3)	7.1 (28.3)
SP11/15	112 FR. B5 FLANGE	4.13637 (105 mm)	28.1527 (715 mm)	17.3987 (441 mm)	3.347 (85 mm)	7.127 (180 mm)	3.15 (12.6)	3.15 (12.6)	8.5 (33.5)	8.5 (33.5)

REVISIONS	DATE	APPROVED	TRACK

DESCRIPTION	DATE	APPROVED	TRACK

ITEM	DESCRIPTION	UNIT	VALUE
1	NET WEIGHT	KG	12.5
2	GROSS WEIGHT	KG	15.5
3	NET WEIGHT	LB	27.5
4	GROSS WEIGHT	LB	34.3

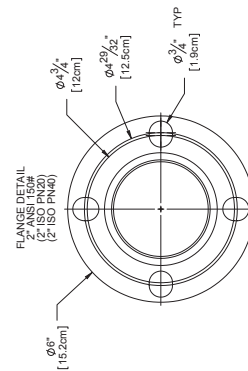
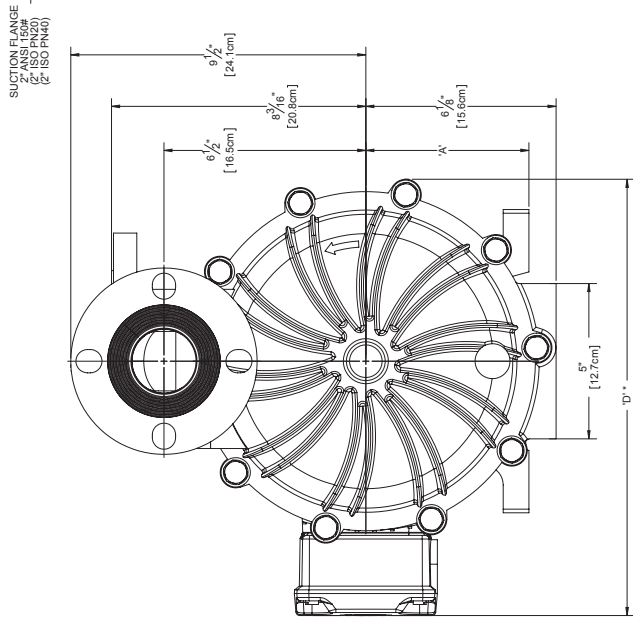
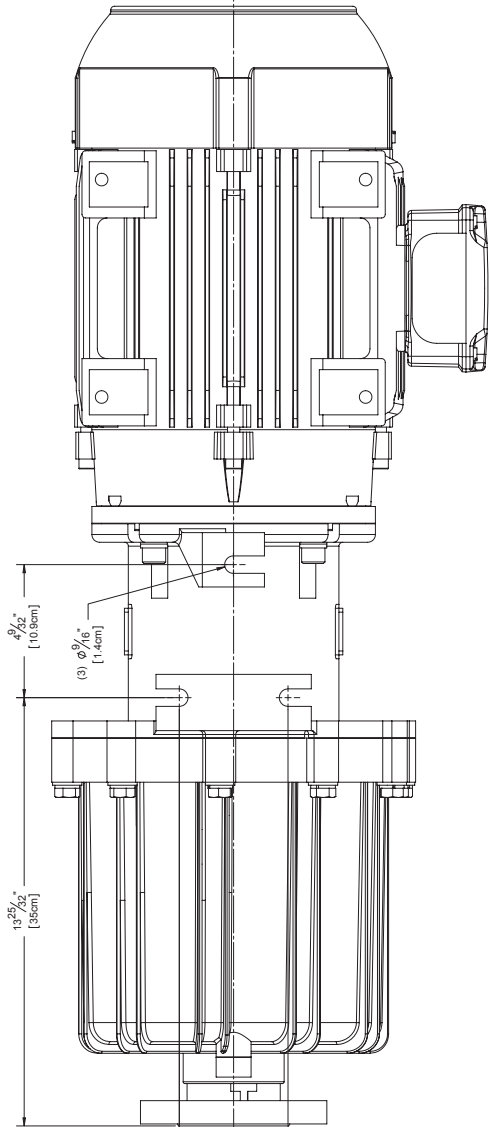
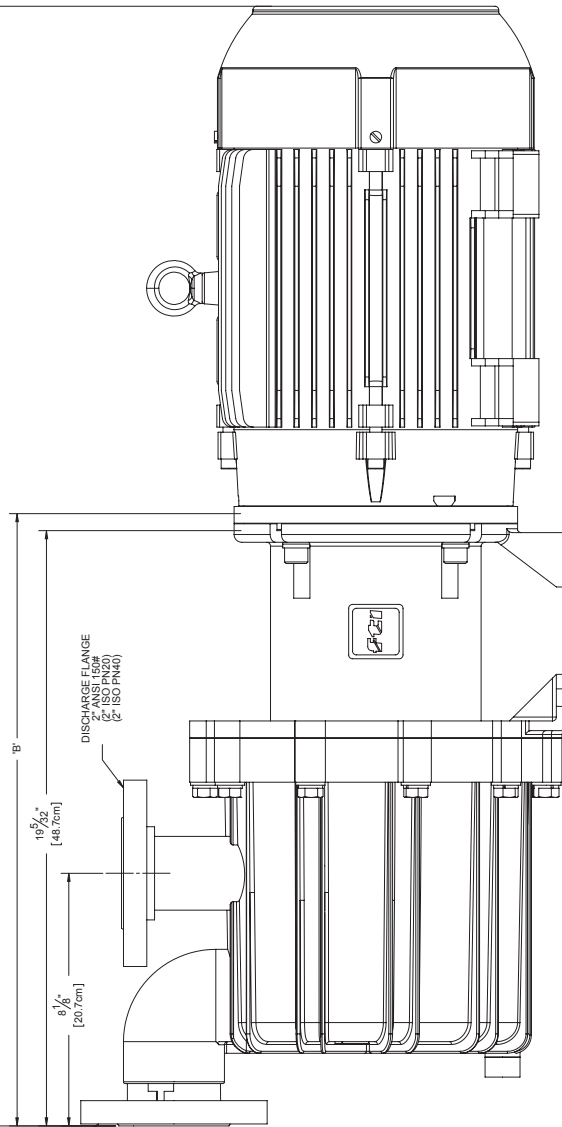
ITEM	DESCRIPTION	UNIT	VALUE
1	FR. DIA.	IN	3.15
2	DS. DIA.	IN	3.15
3	FR. HGT.	IN	7.1
4	DS. HGT.	IN	7.1

ITEM	DESCRIPTION	UNIT	VALUE
1	FR. DIA.	IN	3.15
2	DS. DIA.	IN	3.15
3	FR. HGT.	IN	7.1
4	DS. HGT.	IN	7.1



REVISIONS		DATE	APPRD	TRKCD
REV	DESCRIPTION			
1	DIM A FOR 12 FRAME WAS 3.0 CM	8/21/12	MD	3830

19 5/32" [48.7cm] 8 1/4" [20.7cm]



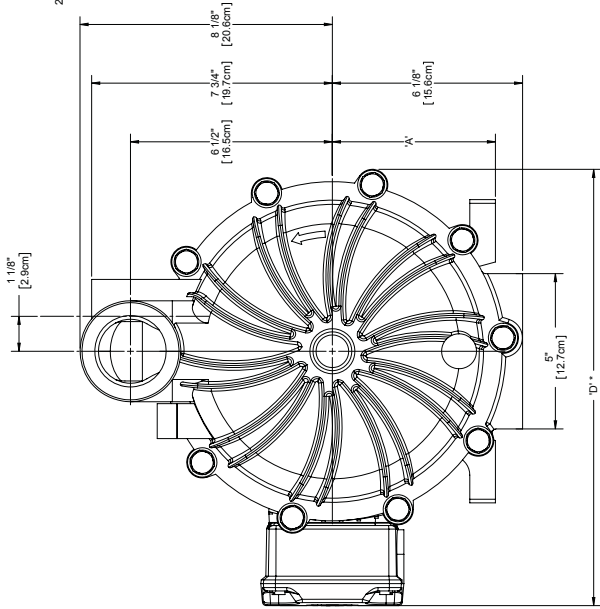
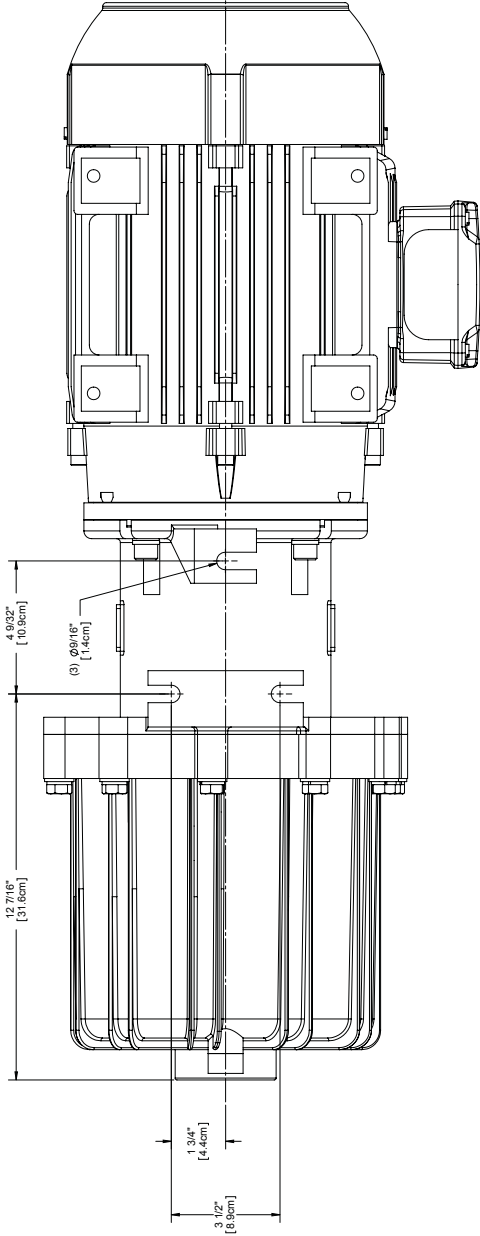
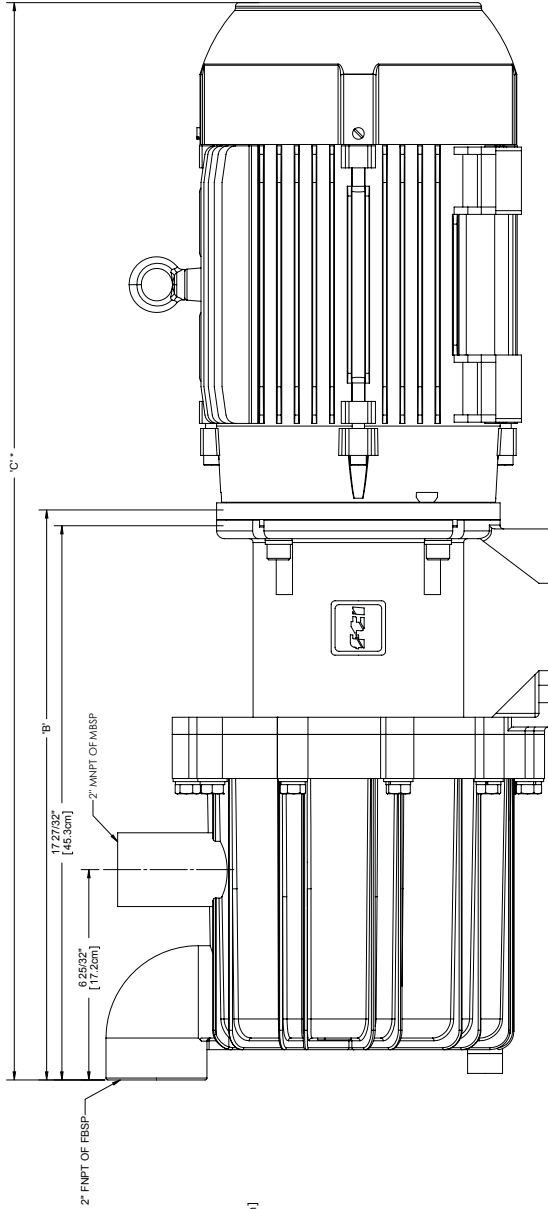
- NOTES:
- 1. DIMENSIONS AND WEIGHTS ARE TO BE USED FOR REFERENCE ONLY.
- 2. PUMP WEIGHT IS ESTIMATED USING POLYPROPYLENE PUMP COMPONENTS.
- ** - MOTOR WEIGHT DEPENDS ON MOTOR MANUFACTURER AND STYLE OF MOTOR CHOSEN.

MODEL / MOTOR FRAME	"A" DIM	"B" DIM	"C" DIM	"D" DIM	PUMP WGT	MOTOR WGT**				
SP22 IEC 132 B14B5	5-3/16"	13.2 cm	20-1/8"	51.1 cm	36-7/32"	92.0 cm	14-31/16"	36.0 cm	57 lbs (25.9 kg)	160 lbs (72.5 kg)
SP22 IEC 112 B14B5	4-13/32"	11.2 cm	20-1/16"	51.0 cm	35-1/4"	84.5 cm	12-1/8"	30.8 cm	54 lbs (24.5 kg)	105 lbs (47.6 kg)
SP22 IEC 90 B14B5	3-11/16"	9.0 cm	20-1/8"	50.8 cm	35-1/2"	85.5 cm	12-1/16"	30.6 cm	54 lbs (24.5 kg)	105 lbs (47.6 kg)
SP22 IEC 90 B14B5	3-11/16"	9.0 cm	20-1/16"	51.0 cm	35-1/16"	84.5 cm	11-1/16"	28.6 cm	54 lbs (24.5 kg)	105 lbs (47.6 kg)
SP22 NEMA 213G15	5-1/4"	13.3 cm	19-23/32"	50.1 cm	36-1/16"	91.6 cm	14-19/32"	35.7 cm	51 lbs (23.1 kg)	160 lbs (72.5 kg)
SP22 NEMA 184TC	4-1/2"	11.4 cm	19-5/32"	48.6 cm	32-7/16"	82.4 cm	12-15/32"	31.7 cm	48 lbs (20.9 kg)	100 lbs (45.3 kg)

LABEL CONTAINER DETAILS		DISTRIBUTION BLOCK				PUMP MODEL NO.		PUMP FRAME SIZE		PUMP WEIGHT	
TYPE	PUMP ASSEMBLY	TYPE	WELLHEAD	TYPE	TYPE	TYPE	TYPE	TYPE	TYPE	TYPE	TYPE
MATERIAL	STAINLESS STEEL	MATERIAL	STAINLESS STEEL	MATERIAL	STAINLESS STEEL	MATERIAL	STAINLESS STEEL	MATERIAL	STAINLESS STEEL	MATERIAL	STAINLESS STEEL
FINISH	316L	FINISH	316L	FINISH	316L	FINISH	316L	FINISH	316L	FINISH	316L
SALES	X	SALES	X	SALES	X	SALES	X	SALES	X	SALES	X
PRODUCTION	SP22	PRODUCTION	SP22	PRODUCTION	SP22	PRODUCTION	SP22	PRODUCTION	SP22	PRODUCTION	SP22
OUTLINE DIM.	R100540	OUTLINE DIM.	R100540	OUTLINE DIM.	R100540	OUTLINE DIM.	R100540	OUTLINE DIM.	R100540	OUTLINE DIM.	R100540



REVISIONS			
REV	DESCRIPTION	DATE	APPROV. TRACK
1	ADDED DIMENSIONS BETWEEN SUCTION AND DISCHARGE CENTERS IN FRONT VIEW	8/19/11	MD
2	DIM 'A' FOR 132 FRAME WAS 13.0 CM	8/21/12	MD
3	ADDED 148 FRAME SIZE	2/9/16	TD3



NOTES:
 1. DIMENSIONS AND WEIGHTS ARE TO BE USED FOR REFERENCE ONLY.
 2. PUMP WEIGHT IS ESTIMATED USING POLYPROPYLENE PUMP COMPONENTS
 ** DIMENSION DEPENDS UPON MOTOR MANUFACTURER
 * DIMENSION DEPENDS UPON MOTOR MANUFACTURER AND STYLE OF MOTOR CHOSEN

MODEL/MOTOR FRAME	"A" DIM	"B" DIM	"C" DIM*	"D" DIM*	PUMP WT**	MOTOR WT**
SP22 EC 132 B 14 B5	4-31/16" (13.3 cm)	18-31/16" (47.5 cm)	34-27/32" (88.5 cm)	14-31/16" (36.0 cm)	157 lbs (72.5 kg)	160 lbs (72.5 kg)
SP22 EC 132 B 14 B5	4-31/16" (13.3 cm)	18-31/16" (47.5 cm)	34-27/32" (88.5 cm)	14-31/16" (36.0 cm)	157 lbs (72.5 kg)	160 lbs (72.5 kg)
SP22 EC 100 B 14 B5	3-11/16" (90.5 cm)	18-11/16" (47.5 cm)	31-1/8" (79.3 cm)	12-1/8" (30.8 cm)	54 lbs (24.5 kg)	70 lbs (31.8 kg)
SP22 EC 100 B 14 B5	3-17/32" (90.0 cm)	18-11/16" (47.5 cm)	29-11/16" (75.4 cm)	11-11/16" (29.7 cm)	54 lbs (24.5 kg)	70 lbs (31.8 kg)
SP22 NEMA 21 32 T5	5-1/4" (13.3 cm)	18-11/32" (46.6 cm)	34-11/16" (88.1 cm)	14-1/32" (35.7 cm)	51 lbs (23.1 kg)	160 lbs (72.5 kg)
SP22 NEMA 184 TC	4-1/2" (11.4 cm)	17-13/16" (45.2 cm)	31-11/16" (78.9 cm)	12-15/32" (31.7 cm)	46 lbs (20.9 kg)	100 lbs (45.3 kg)
SP22 NEMA 145 TC	3-1/2" (8.8 cm)	18-11/16" (32.2 cm)	29-29/32" (76.0 cm)	11-71/16" (29.7 cm)	54 lbs (24.5 kg)	45 lbs (20.5 kg)

UNLESS OTHERWISE SPECIFIED:		DISTRIBUTION LOCK		PUMP MANUFACTURER	
FINISH	STANDARD	FINISH	STANDARD	FINISH	STANDARD
MATERIAL	CAST IRON	MATERIAL	CAST IRON	MATERIAL	CAST IRON
WELDING	WELDED	WELDING	WELDED	WELDING	WELDED
DRAMA COLOR	BLACK	DRAMA COLOR	BLACK	DRAMA COLOR	BLACK
DRAMA SIZE	1/4" (6.35 mm)	DRAMA SIZE	1/4" (6.35 mm)	DRAMA SIZE	1/4" (6.35 mm)
DRAMA ANGLE	90°	DRAMA ANGLE	90°	DRAMA ANGLE	90°
DRAMA PART NUMBER	R100538	DRAMA PART NUMBER	R100538	DRAMA PART NUMBER	R100538
DRAMA PRODUCTION	1 OF 1	DRAMA PRODUCTION	1 OF 1	DRAMA PRODUCTION	1 OF 1
DRAMA SHEET	3	DRAMA SHEET	3	DRAMA SHEET	3

