



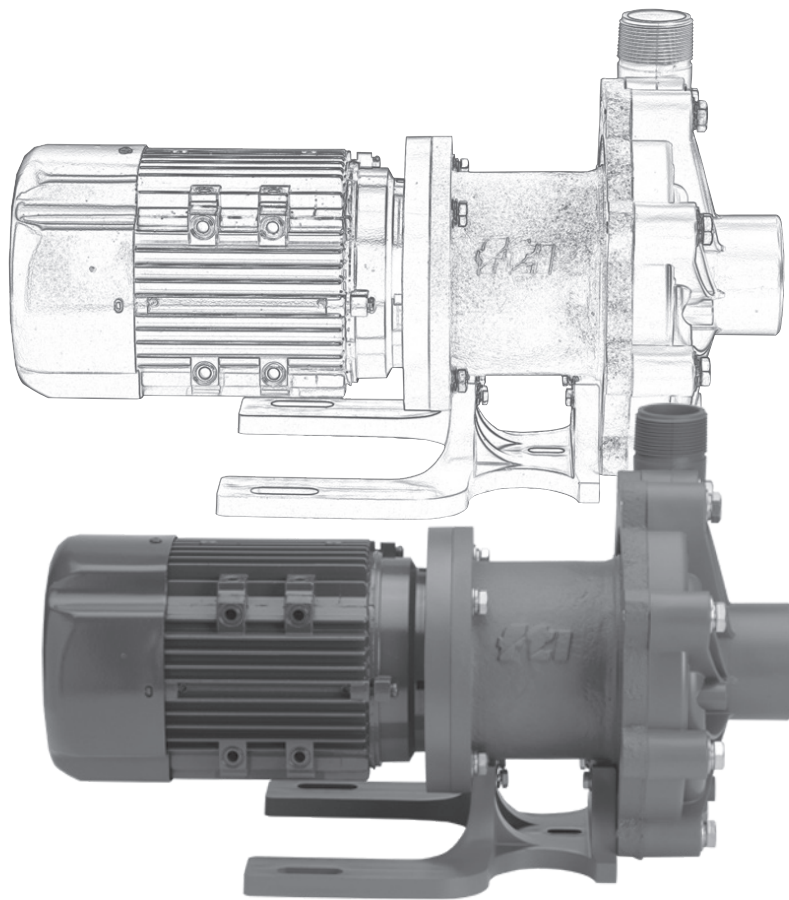
WILHELM KELLER GmbH & Co.KG | Herdweg 1 | 72147 Nehren

www.keller-pumpen.de | info@keller-pumpen.de | +49 (0) 7473 / 9449-0

DB SERIES OUTLINE DIMENSIONS

Literature ID No. FT06-930

Revision 4



FINISH THOMPSON INC.

921 Greengarden Road • Erie, PA 16501-1591 U.S.A.

Ph 814-455-4478 • Fax 814-455-8518

Email fti@finishthompson.com • www.finishthompson.com

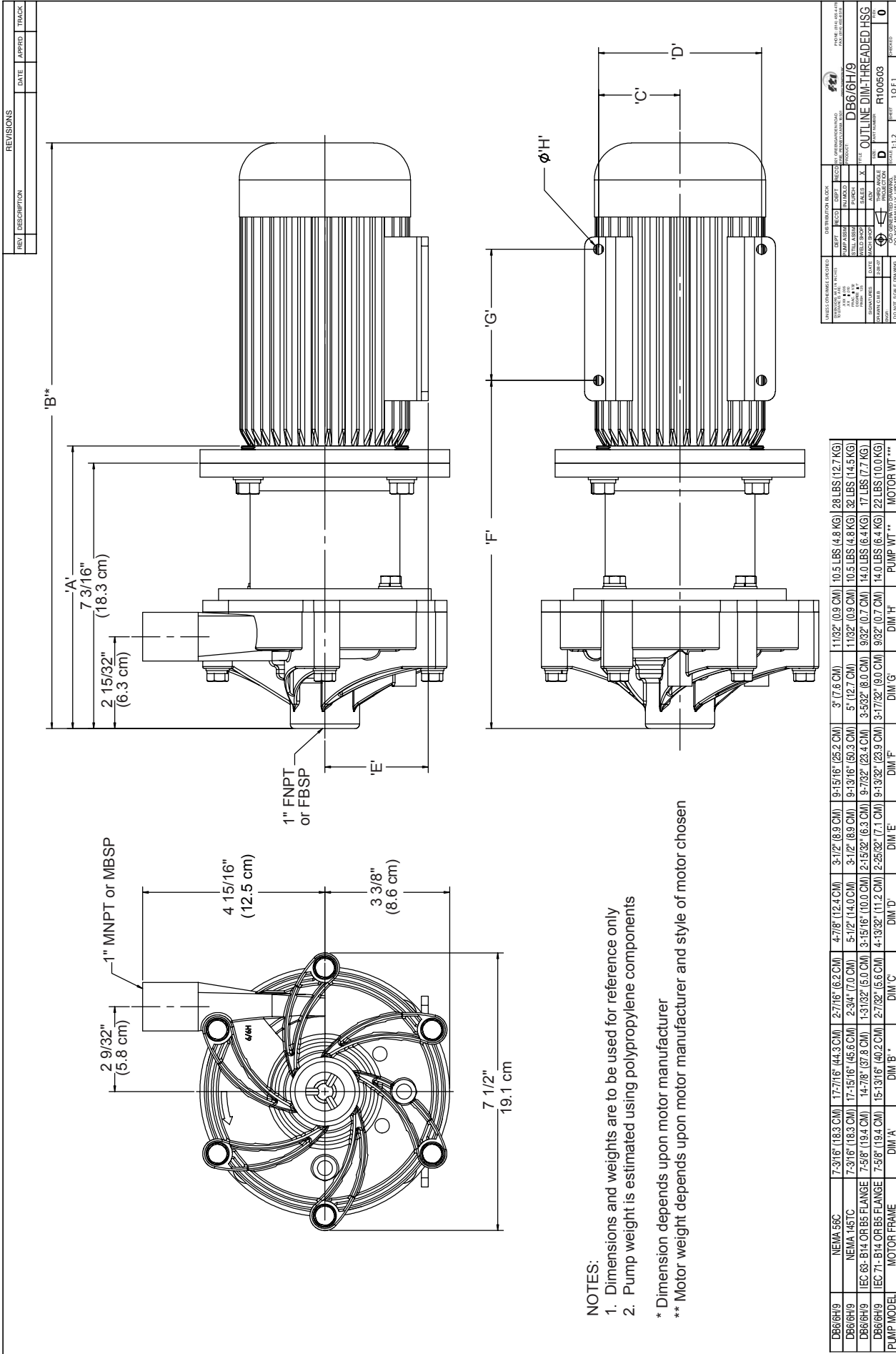
10/23/12

TABLE OF CONTENTS

Drawing	Page No.
DB3/4/5/5.5 Outline Dimensions	3
DB6/6H/9 Outline Dimensions	
Threaded.....	4
Union.....	5
Flanged	6
DB8 Outline Dimensions	
Threaded.....	7
Union.....	8
Flanged	9
DB7/10 Outline Dimensions	
Threaded.....	10
Union.....	11
Flanged	12
DB11/15 Outline Dimensions	
Threaded.....	13
Union.....	14
Flanged	15
DB11/15 Outline Dimensions 80/90 FR B5	
Threaded.....	16
Union.....	17
Flanged	18
DB11/15 Outline Dimensions 100/112 FR B5	
Threaded.....	19
Union.....	20
Flanged	21
DB22 Outline Dimensions	
Threaded.....	22
Union.....	23
Flanged	24



DB6/6H/9 Outline Dimensions - Threaded Housing (R100503)



NOTES:

1. Dimensions and weights are to be used for reference only
2. Pump weight is estimated using polypropylene components

* Dimension depends upon motor manufacturer

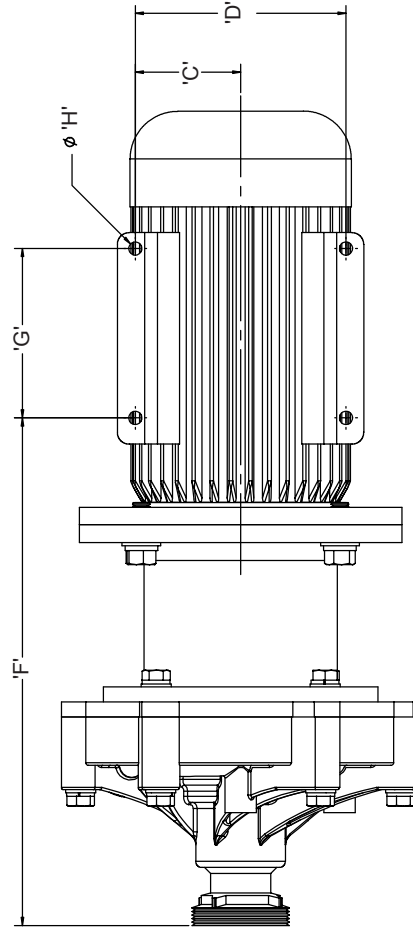
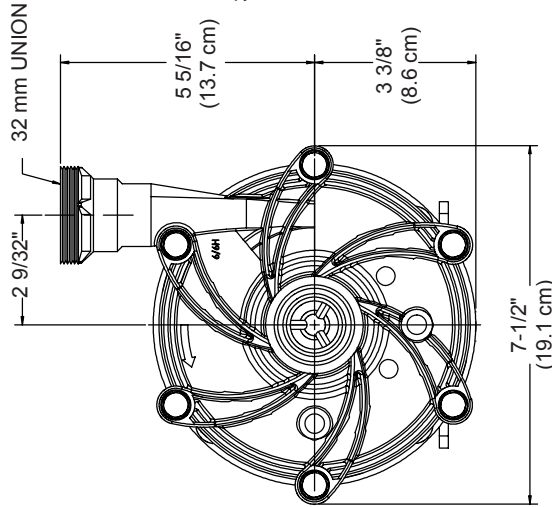
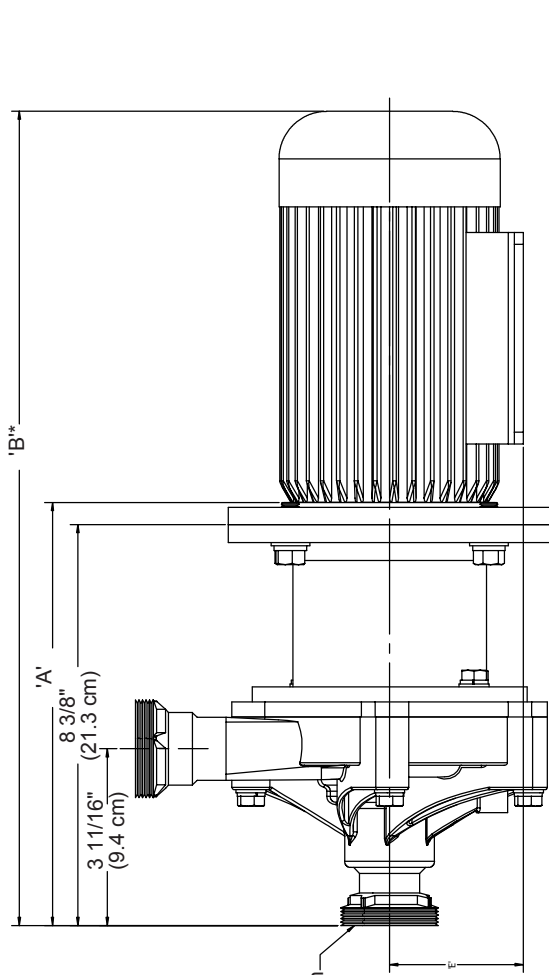
** Motor weight depends upon motor manufacturer and style of motor chosen



WILHELM KELLER GmbH & Co.KG | Herdweg 1 | 72147 Nehren
 www.keller-pumpen.de | info@keller-pumpen.de | +49 (0) 7473 / 9449-0

DB6/6H/9 Outline Dimensions - Union Housing (R100504)

REV.	DESCRIPTION	DATE	APP'D	TRKCD



NOTES:
 1. DIMENSIONS AND WEIGHTS ARE TO BE USED FOR REFERENCE ONLY.
 2. PUMP WEIGHT IS ESTIMATED USING POLYPROPYLENE PUMP COMPONENTS.
 * DIMENSION DEPENDS UPON MOTOR MANUFACTURER
 **MOTOR WEIGHT DEPENDS UPON MOTOR MANUFACTURER AND STYLE OF MOTOR CHOSEN.

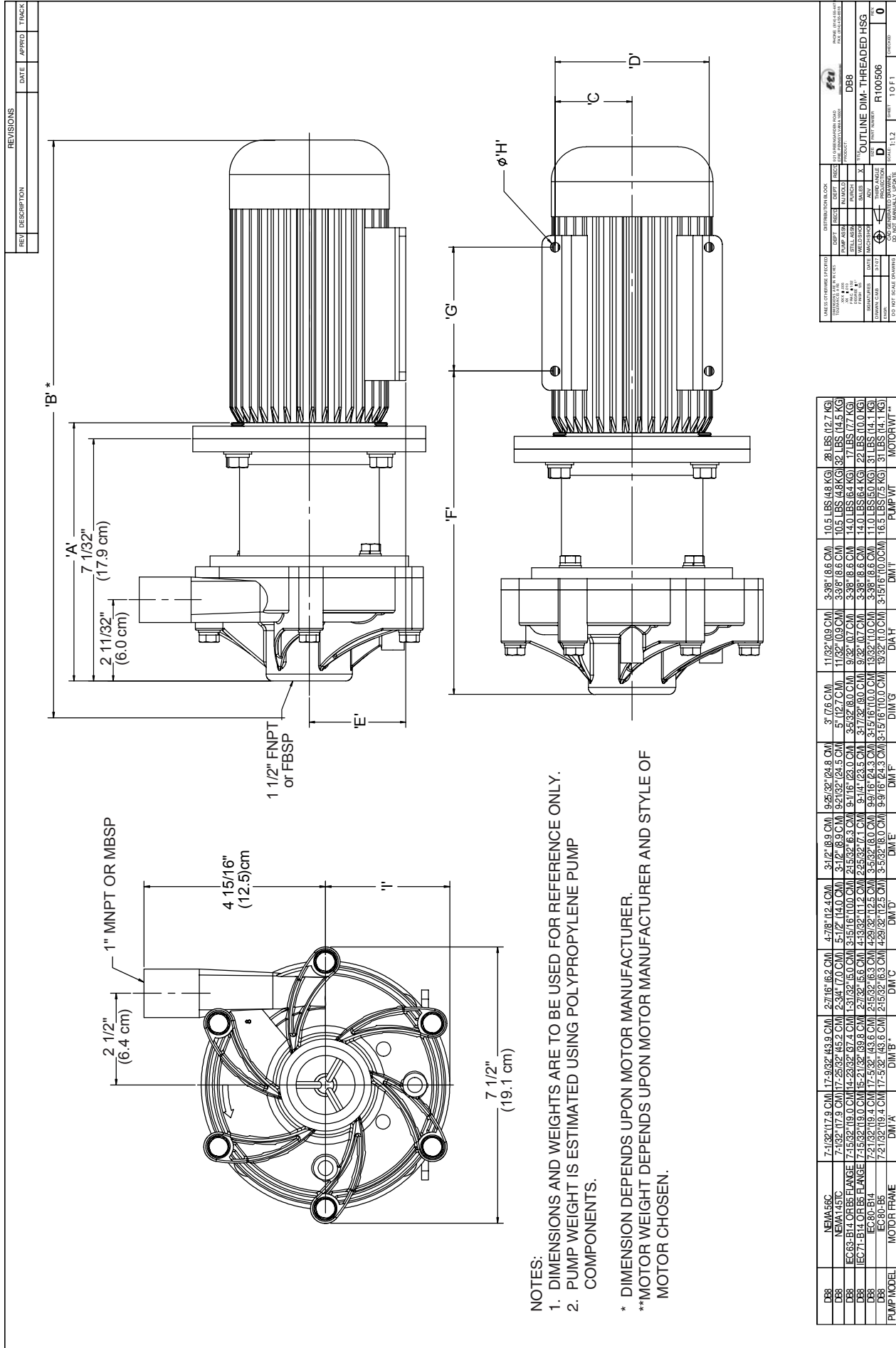
REV.	DESCRIPTION	DATE	APP'D	TRKCD

PUMP MODEL	MOTOR FRAME	DIM 'A'	DIM 'B'	DIM 'C'	DIM 'D'	DIM 'E'	DIM 'F'	DIM 'G'	DIM 'H'	PUMP WT	MOTOR WT **
DB66H/9	NEMA 56C	8-3/8" (21.3 CM)	18-11/16" (47.5 CM)	2-7/16" (6.2 CM)	4-7/8" (12.4 CM)	3-1/2" (8.9 CM)	11-3/16" (28.4 CM)	3" (7.6 CM)	11/32" (0.9 CM)	10.5 LBS (4.8 KG)	28 LBS (12.7 KG)
DB66H/9	NEMA 145TC	8-3/8" (21.3 CM)	19-3/16" (48.7 CM)	2-3/4" (7.0 CM)	5-1/2" (14.0 CM)	3-1/2" (8.9 CM)	11-1/8" (28.3 CM)	5" (12.7 CM)	11/32" (0.9 CM)	10.5 LBS (4.8 KG)	32 LBS (14.5 KG)
DB66H/9	IEC 63-B14 OR B5 FLANGE	8-27/32" (22.5 CM)	16-1/8" (41.0 CM)	1-31/32" (5.0 CM)	3-15/16" (10.0 CM)	2-15/32" (6.3 CM)	10-45/32" (26.6 CM)	3-5/32" (6.0 CM)	9/32" (0.7 CM)	14.0 LBS (6.4 KG)	17 LBS (7.7 KG)
DB66H/9	IEC 71-B14 OR B5 FLANGE	8-27/32" (22.5 CM)	17-1/16" (43.3 CM)	2-7/32" (6.6 CM)	4-13/32" (11.2 CM)	2-25/32" (7.1 CM)	10-21/32" (27.1 CM)	3-17/32" (9.0 CM)	9/32" (0.7 CM)	14.0 LBS (6.4 KG)	22 LBS (10.0 KG)




WILHELM KELLER GmbH & Co.KG | Herdweg 1 | 72147 Nehren
 www.keller-pumpen.de | info@keller-pumpen.de | +49 (0) 7473 / 9449-0

DB8 Outline Dimensions - Threaded Housing (R100506)

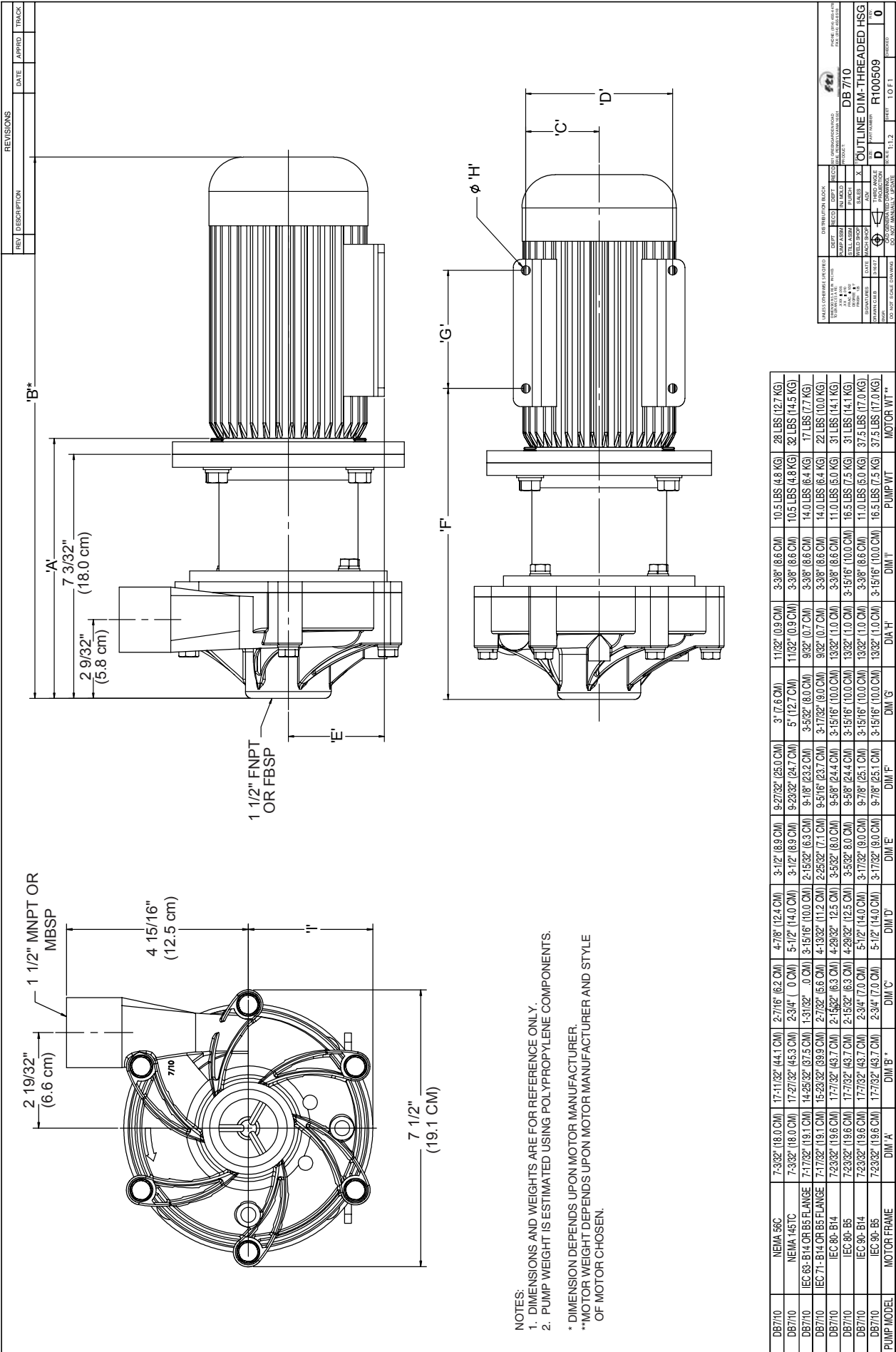


NOTES:
 1. DIMENSIONS AND WEIGHTS ARE TO BE USED FOR REFERENCE ONLY.
 2. PUMP WEIGHT IS ESTIMATED USING POLYPROPYLENE PUMP COMPONENTS.
 * DIMENSION DEPENDS UPON MOTOR MANUFACTURER.
 **MOTOR WEIGHT DEPENDS UPON MOTOR MANUFACTURER AND STYLE OF MOTOR CHOSEN.

DB8	NEVA58C	7-1/32" (17.9 CM)	17-9/32" (43.9 CM)	2-7/16" (6.2 CM)	4-7/8" (12.4 CM)	3-1/2" (8.9 CM)	9-5/32" (24.8 CM)	3" (7.6 CM)	11/32" (0.9 CM)	9-3/8" (8.6 CM)	10.5 LBS (4.8 KG)	28 LBS (12.7 KG)
DB8	NEVA145TC	7-1/32" (17.9 CM) <td>17-25/32" (45.2 CM) <td>2-3/4" (7.0 CM) <td>5-1/2" (14.0 CM) <td>3-1/2" (8.9 CM) <td>9-21/32" (24.5 CM) <td>5" (12.7 CM) <td>11/32" (0.9 CM) <td>9-3/8" (8.6 CM) <td>10.5 LBS (4.8 KG) <td>28 LBS (12.7 KG) </td></td></td></td></td></td></td></td></td></td>	17-25/32" (45.2 CM) <td>2-3/4" (7.0 CM) <td>5-1/2" (14.0 CM) <td>3-1/2" (8.9 CM) <td>9-21/32" (24.5 CM) <td>5" (12.7 CM) <td>11/32" (0.9 CM) <td>9-3/8" (8.6 CM) <td>10.5 LBS (4.8 KG) <td>28 LBS (12.7 KG) </td></td></td></td></td></td></td></td></td>	2-3/4" (7.0 CM) <td>5-1/2" (14.0 CM) <td>3-1/2" (8.9 CM) <td>9-21/32" (24.5 CM) <td>5" (12.7 CM) <td>11/32" (0.9 CM) <td>9-3/8" (8.6 CM) <td>10.5 LBS (4.8 KG) <td>28 LBS (12.7 KG) </td></td></td></td></td></td></td></td>	5-1/2" (14.0 CM) <td>3-1/2" (8.9 CM) <td>9-21/32" (24.5 CM) <td>5" (12.7 CM) <td>11/32" (0.9 CM) <td>9-3/8" (8.6 CM) <td>10.5 LBS (4.8 KG) <td>28 LBS (12.7 KG) </td></td></td></td></td></td></td>	3-1/2" (8.9 CM) <td>9-21/32" (24.5 CM) <td>5" (12.7 CM) <td>11/32" (0.9 CM) <td>9-3/8" (8.6 CM) <td>10.5 LBS (4.8 KG) <td>28 LBS (12.7 KG) </td></td></td></td></td></td>	9-21/32" (24.5 CM) <td>5" (12.7 CM) <td>11/32" (0.9 CM) <td>9-3/8" (8.6 CM) <td>10.5 LBS (4.8 KG) <td>28 LBS (12.7 KG) </td></td></td></td></td>	5" (12.7 CM) <td>11/32" (0.9 CM) <td>9-3/8" (8.6 CM) <td>10.5 LBS (4.8 KG) <td>28 LBS (12.7 KG) </td></td></td></td>	11/32" (0.9 CM) <td>9-3/8" (8.6 CM) <td>10.5 LBS (4.8 KG) <td>28 LBS (12.7 KG) </td></td></td>	9-3/8" (8.6 CM) <td>10.5 LBS (4.8 KG) <td>28 LBS (12.7 KG) </td></td>	10.5 LBS (4.8 KG) <td>28 LBS (12.7 KG) </td>	28 LBS (12.7 KG)
DB8	EC63-B14 LORIS FLANGE	7-15/32" (19.0 CM) <td>14-23/32" (37.4 CM) <td>1-31/32" (5.0 CM) <td>3-15/16" (10.0 CM) <td>2-5/32" (6.3 CM) <td>9-1/16" (23.0 CM) <td>3-5/32" (6.0 CM) <td>9/32" (0.7 CM) <td>9-3/8" (8.6 CM) <td>14.0 LBS (6.4 KG) <td>17 LBS (7.7 KG) </td></td></td></td></td></td></td></td></td></td>	14-23/32" (37.4 CM) <td>1-31/32" (5.0 CM) <td>3-15/16" (10.0 CM) <td>2-5/32" (6.3 CM) <td>9-1/16" (23.0 CM) <td>3-5/32" (6.0 CM) <td>9/32" (0.7 CM) <td>9-3/8" (8.6 CM) <td>14.0 LBS (6.4 KG) <td>17 LBS (7.7 KG) </td></td></td></td></td></td></td></td></td>	1-31/32" (5.0 CM) <td>3-15/16" (10.0 CM) <td>2-5/32" (6.3 CM) <td>9-1/16" (23.0 CM) <td>3-5/32" (6.0 CM) <td>9/32" (0.7 CM) <td>9-3/8" (8.6 CM) <td>14.0 LBS (6.4 KG) <td>17 LBS (7.7 KG) </td></td></td></td></td></td></td></td>	3-15/16" (10.0 CM) <td>2-5/32" (6.3 CM) <td>9-1/16" (23.0 CM) <td>3-5/32" (6.0 CM) <td>9/32" (0.7 CM) <td>9-3/8" (8.6 CM) <td>14.0 LBS (6.4 KG) <td>17 LBS (7.7 KG) </td></td></td></td></td></td></td>	2-5/32" (6.3 CM) <td>9-1/16" (23.0 CM) <td>3-5/32" (6.0 CM) <td>9/32" (0.7 CM) <td>9-3/8" (8.6 CM) <td>14.0 LBS (6.4 KG) <td>17 LBS (7.7 KG) </td></td></td></td></td></td>	9-1/16" (23.0 CM) <td>3-5/32" (6.0 CM) <td>9/32" (0.7 CM) <td>9-3/8" (8.6 CM) <td>14.0 LBS (6.4 KG) <td>17 LBS (7.7 KG) </td></td></td></td></td>	3-5/32" (6.0 CM) <td>9/32" (0.7 CM) <td>9-3/8" (8.6 CM) <td>14.0 LBS (6.4 KG) <td>17 LBS (7.7 KG) </td></td></td></td>	9/32" (0.7 CM) <td>9-3/8" (8.6 CM) <td>14.0 LBS (6.4 KG) <td>17 LBS (7.7 KG) </td></td></td>	9-3/8" (8.6 CM) <td>14.0 LBS (6.4 KG) <td>17 LBS (7.7 KG) </td></td>	14.0 LBS (6.4 KG) <td>17 LBS (7.7 KG) </td>	17 LBS (7.7 KG)
DB8	EC71-B14 LORIS FLANGE	7-15/32" (19.0 CM) <td>15-21/32" (39.8 CM) <td>2-7/32" (5.6 CM) <td>4-13/32" (11.2 CM) <td>2-5/32" (6.3 CM) <td>9-1/4" (23.5 CM) <td>3-17/32" (6.0 CM) <td>9/32" (0.7 CM) <td>9-3/8" (8.6 CM) <td>14.0 LBS (6.4 KG) <td>22 LBS (10.0 KG) </td></td></td></td></td></td></td></td></td></td>	15-21/32" (39.8 CM) <td>2-7/32" (5.6 CM) <td>4-13/32" (11.2 CM) <td>2-5/32" (6.3 CM) <td>9-1/4" (23.5 CM) <td>3-17/32" (6.0 CM) <td>9/32" (0.7 CM) <td>9-3/8" (8.6 CM) <td>14.0 LBS (6.4 KG) <td>22 LBS (10.0 KG) </td></td></td></td></td></td></td></td></td>	2-7/32" (5.6 CM) <td>4-13/32" (11.2 CM) <td>2-5/32" (6.3 CM) <td>9-1/4" (23.5 CM) <td>3-17/32" (6.0 CM) <td>9/32" (0.7 CM) <td>9-3/8" (8.6 CM) <td>14.0 LBS (6.4 KG) <td>22 LBS (10.0 KG) </td></td></td></td></td></td></td></td>	4-13/32" (11.2 CM) <td>2-5/32" (6.3 CM) <td>9-1/4" (23.5 CM) <td>3-17/32" (6.0 CM) <td>9/32" (0.7 CM) <td>9-3/8" (8.6 CM) <td>14.0 LBS (6.4 KG) <td>22 LBS (10.0 KG) </td></td></td></td></td></td></td>	2-5/32" (6.3 CM) <td>9-1/4" (23.5 CM) <td>3-17/32" (6.0 CM) <td>9/32" (0.7 CM) <td>9-3/8" (8.6 CM) <td>14.0 LBS (6.4 KG) <td>22 LBS (10.0 KG) </td></td></td></td></td></td>	9-1/4" (23.5 CM) <td>3-17/32" (6.0 CM) <td>9/32" (0.7 CM) <td>9-3/8" (8.6 CM) <td>14.0 LBS (6.4 KG) <td>22 LBS (10.0 KG) </td></td></td></td></td>	3-17/32" (6.0 CM) <td>9/32" (0.7 CM) <td>9-3/8" (8.6 CM) <td>14.0 LBS (6.4 KG) <td>22 LBS (10.0 KG) </td></td></td></td>	9/32" (0.7 CM) <td>9-3/8" (8.6 CM) <td>14.0 LBS (6.4 KG) <td>22 LBS (10.0 KG) </td></td></td>	9-3/8" (8.6 CM) <td>14.0 LBS (6.4 KG) <td>22 LBS (10.0 KG) </td></td>	14.0 LBS (6.4 KG) <td>22 LBS (10.0 KG) </td>	22 LBS (10.0 KG)
DB8	EC80-B14	7-21/32" (19.4 CM) <td>17-5/32" (43.6 CM) <td>2-15/32" (6.3 CM) <td>4-29/32" (12.5 CM) <td>3-5/32" (6.0 CM) <td>9-9/16" (24.3 CM) <td>3-15/16" (10.0 CM) <td>13/32" (1.0 CM) <td>9-3/8" (8.6 CM) <td>11.0 LBS (5.0 KG) <td>31 LBS (14.1 KG) </td></td></td></td></td></td></td></td></td></td>	17-5/32" (43.6 CM) <td>2-15/32" (6.3 CM) <td>4-29/32" (12.5 CM) <td>3-5/32" (6.0 CM) <td>9-9/16" (24.3 CM) <td>3-15/16" (10.0 CM) <td>13/32" (1.0 CM) <td>9-3/8" (8.6 CM) <td>11.0 LBS (5.0 KG) <td>31 LBS (14.1 KG) </td></td></td></td></td></td></td></td></td>	2-15/32" (6.3 CM) <td>4-29/32" (12.5 CM) <td>3-5/32" (6.0 CM) <td>9-9/16" (24.3 CM) <td>3-15/16" (10.0 CM) <td>13/32" (1.0 CM) <td>9-3/8" (8.6 CM) <td>11.0 LBS (5.0 KG) <td>31 LBS (14.1 KG) </td></td></td></td></td></td></td></td>	4-29/32" (12.5 CM) <td>3-5/32" (6.0 CM) <td>9-9/16" (24.3 CM) <td>3-15/16" (10.0 CM) <td>13/32" (1.0 CM) <td>9-3/8" (8.6 CM) <td>11.0 LBS (5.0 KG) <td>31 LBS (14.1 KG) </td></td></td></td></td></td></td>	3-5/32" (6.0 CM) <td>9-9/16" (24.3 CM) <td>3-15/16" (10.0 CM) <td>13/32" (1.0 CM) <td>9-3/8" (8.6 CM) <td>11.0 LBS (5.0 KG) <td>31 LBS (14.1 KG) </td></td></td></td></td></td>	9-9/16" (24.3 CM) <td>3-15/16" (10.0 CM) <td>13/32" (1.0 CM) <td>9-3/8" (8.6 CM) <td>11.0 LBS (5.0 KG) <td>31 LBS (14.1 KG) </td></td></td></td></td>	3-15/16" (10.0 CM) <td>13/32" (1.0 CM) <td>9-3/8" (8.6 CM) <td>11.0 LBS (5.0 KG) <td>31 LBS (14.1 KG) </td></td></td></td>	13/32" (1.0 CM) <td>9-3/8" (8.6 CM) <td>11.0 LBS (5.0 KG) <td>31 LBS (14.1 KG) </td></td></td>	9-3/8" (8.6 CM) <td>11.0 LBS (5.0 KG) <td>31 LBS (14.1 KG) </td></td>	11.0 LBS (5.0 KG) <td>31 LBS (14.1 KG) </td>	31 LBS (14.1 KG)
DB8	EC80-B5	7-21/32" (19.4 CM) <td>17-5/32" (43.6 CM) <td>2-15/32" (6.3 CM) <td>4-29/32" (12.5 CM) <td>3-5/32" (6.0 CM) <td>9-9/16" (24.3 CM) <td>3-15/16" (10.0 CM) <td>13/32" (1.0 CM) <td>9-3/8" (8.6 CM) <td>16.5 LBS (7.5 KG) <td>31 LBS (14.1 KG) </td></td></td></td></td></td></td></td></td></td>	17-5/32" (43.6 CM) <td>2-15/32" (6.3 CM) <td>4-29/32" (12.5 CM) <td>3-5/32" (6.0 CM) <td>9-9/16" (24.3 CM) <td>3-15/16" (10.0 CM) <td>13/32" (1.0 CM) <td>9-3/8" (8.6 CM) <td>16.5 LBS (7.5 KG) <td>31 LBS (14.1 KG) </td></td></td></td></td></td></td></td></td>	2-15/32" (6.3 CM) <td>4-29/32" (12.5 CM) <td>3-5/32" (6.0 CM) <td>9-9/16" (24.3 CM) <td>3-15/16" (10.0 CM) <td>13/32" (1.0 CM) <td>9-3/8" (8.6 CM) <td>16.5 LBS (7.5 KG) <td>31 LBS (14.1 KG) </td></td></td></td></td></td></td></td>	4-29/32" (12.5 CM) <td>3-5/32" (6.0 CM) <td>9-9/16" (24.3 CM) <td>3-15/16" (10.0 CM) <td>13/32" (1.0 CM) <td>9-3/8" (8.6 CM) <td>16.5 LBS (7.5 KG) <td>31 LBS (14.1 KG) </td></td></td></td></td></td></td>	3-5/32" (6.0 CM) <td>9-9/16" (24.3 CM) <td>3-15/16" (10.0 CM) <td>13/32" (1.0 CM) <td>9-3/8" (8.6 CM) <td>16.5 LBS (7.5 KG) <td>31 LBS (14.1 KG) </td></td></td></td></td></td>	9-9/16" (24.3 CM) <td>3-15/16" (10.0 CM) <td>13/32" (1.0 CM) <td>9-3/8" (8.6 CM) <td>16.5 LBS (7.5 KG) <td>31 LBS (14.1 KG) </td></td></td></td></td>	3-15/16" (10.0 CM) <td>13/32" (1.0 CM) <td>9-3/8" (8.6 CM) <td>16.5 LBS (7.5 KG) <td>31 LBS (14.1 KG) </td></td></td></td>	13/32" (1.0 CM) <td>9-3/8" (8.6 CM) <td>16.5 LBS (7.5 KG) <td>31 LBS (14.1 KG) </td></td></td>	9-3/8" (8.6 CM) <td>16.5 LBS (7.5 KG) <td>31 LBS (14.1 KG) </td></td>	16.5 LBS (7.5 KG) <td>31 LBS (14.1 KG) </td>	31 LBS (14.1 KG)
PUMP MODEL	MOTOR FRAME	DM'A	DM'B *	DM'C	DM'D	DM'E	DM'F	DM'G	DM'H	DM'I	PUMP WT	MOTOR WT **


WILHELM KELLER GmbH & Co.KG | Herdweg 1 | 72147 Nehren
www.keller-pumpen.de | info@keller-pumpen.de | +49 (0) 7473 / 9449-0

DB7/10 Outline Dimensions - Threaded Housing (R100509)



NOTES:
 1. DIMENSIONS AND WEIGHTS ARE FOR REFERENCE ONLY.
 2. PUMP WEIGHT IS ESTIMATED USING POLYPROPYLENE COMPONENTS.
 * DIMENSION DEPENDS UPON MOTOR MANUFACTURER.
 **MOTOR WEIGHT DEPENDS UPON MOTOR MANUFACTURER AND STYLE OF MOTOR CHOSEN.

PUMP MODEL	MOTOR FRAME	DIM 'A'	DIM 'B'	DIM 'C'	DIM 'D'	DIM 'E'	DIM 'F'	DIM 'G'	DIM 'H'	PUMP WT	MOTOR WT **
DB7/10	NEMA 56C	7-3/32" (18.0 CM)	17-11/32" (44.1 CM)	2-7/16" (6.2 CM)	4-7/8" (12.4 CM)	3-1/2" (8.9 CM)	9-27/32" (25.0 CM)	3-7/8" (9.5 CM)	11/32" (0.9 CM)	10.5 LBS (4.8 KG)	28 LBS (12.7 KG)
DB7/10	NEMA 145TC	7-3/32" (18.0 CM)	17-27/32" (45.3 CM)	2-3/4" (0 CM)	5-1/2" (14.0 CM)	3-1/2" (8.9 CM)	9-25/32" (24.7 CM)	3-11/2" (9.5 CM)	11/32" (0.9 CM)	10.5 LBS (4.8 KG)	32 LBS (14.5 KG)
DB7/10	IEC 63-B14 OR B5 FLANGE	7-1/32" (19.1 CM)	14-25/32" (37.5 CM)	1-31/32" (0 CM)	3-15/16" (10.0 CM)	2-15/32" (6.3 CM)	9-1/8" (23.2 CM)	3-5/32" (8.6 CM)	3/32" (0.7 CM)	14.0 LBS (6.4 KG)	17 LBS (7.7 KG)
DB7/10	IEC 71-B14 OR B5 FLANGE	7-1/32" (19.1 CM)	15-23/32" (39.9 CM)	2-7/32" (5.6 CM)	4-13/32" (11.2 CM)	2-5/32" (7.1 CM)	9-5/16" (23.7 CM)	3-17/32" (9.0 CM)	3/32" (0.7 CM)	14.0 LBS (6.4 KG)	22 LBS (10.0 KG)
DB7/10	IEC 80-B14	7-23/32" (19.6 CM)	17-7/32" (43.7 CM)	2-15/32" (6.3 CM)	4-29/32" (12.5 CM)	3-5/32" (8.0 CM)	9-5/8" (24.4 CM)	3-15/16" (10.0 CM)	13/32" (1.0 CM)	11.0 LBS (5.0 KG)	31 LBS (14.1 KG)
DB7/10	IEC 90-B5	7-23/32" (19.6 CM)	17-7/32" (43.7 CM)	2-15/32" (6.3 CM)	4-29/32" (12.5 CM)	3-5/32" (8.0 CM)	9-5/8" (24.4 CM)	3-15/16" (10.0 CM)	13/32" (1.0 CM)	11.0 LBS (5.0 KG)	31 LBS (14.1 KG)
DB7/10	IEC 90-B14	7-23/32" (19.6 CM)	17-7/32" (43.7 CM)	2-3/4" (7.0 CM)	5-1/2" (14.0 CM)	3-17/32" (9.0 CM)	9-7/8" (25.1 CM)	3-15/16" (10.0 CM)	13/32" (1.0 CM)	11.0 LBS (5.0 KG)	37.5 LBS (17.0 KG)
DB7/10	IEC 90-B5	7-23/32" (19.6 CM)	17-7/32" (43.7 CM)	2-3/4" (7.0 CM)	5-1/2" (14.0 CM)	3-17/32" (9.0 CM)	9-7/8" (25.1 CM)	3-15/16" (10.0 CM)	13/32" (1.0 CM)	11.0 LBS (5.0 KG)	37.5 LBS (17.0 KG)

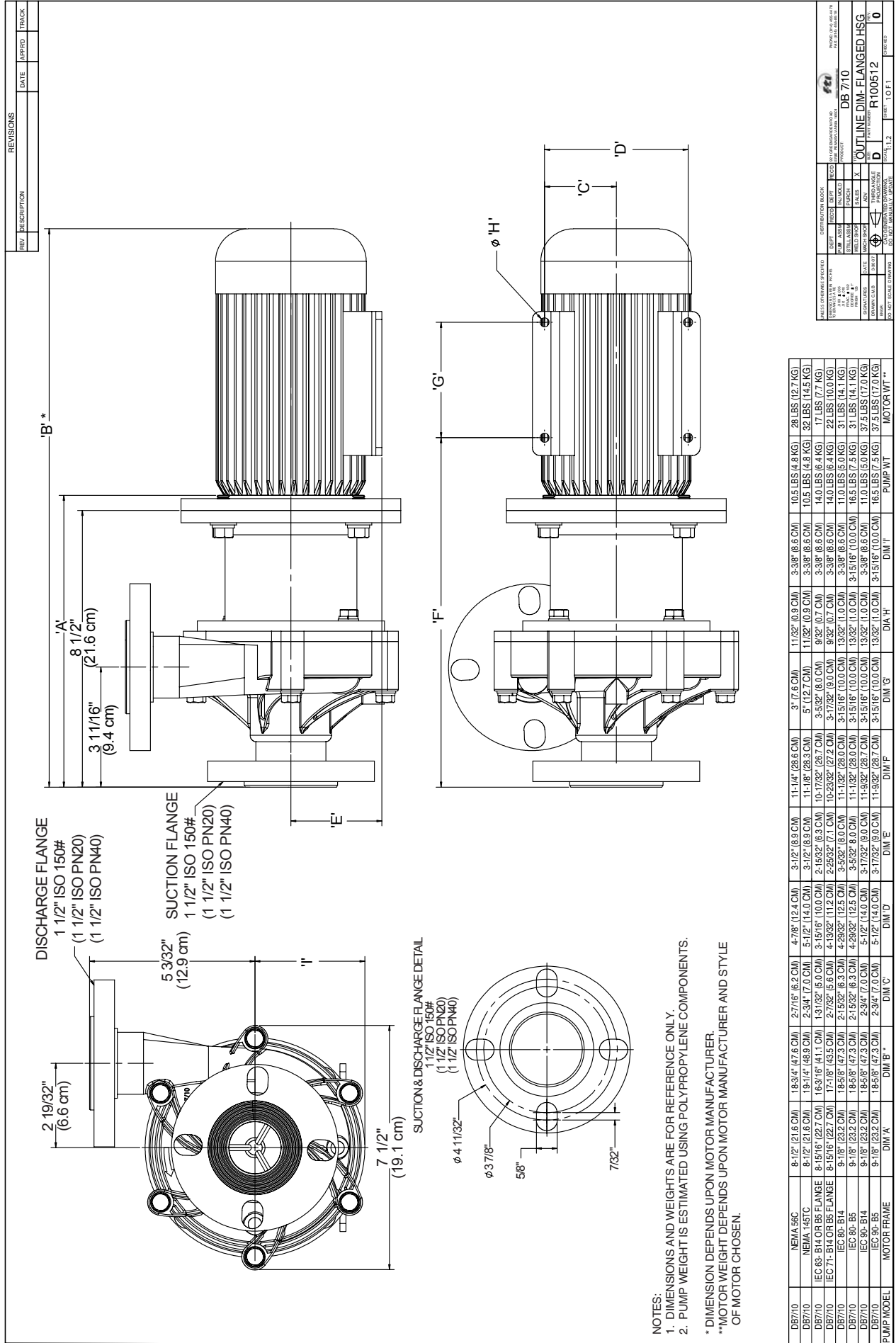
REVISIONS	DATE	APPROVED	TRACK

DESCRIPTION	DATE	APPROVED	TRACK

ITEM NO.	DESCRIPTION	QTY	UNIT	REVISION

ITEM NO.	DESCRIPTION	QTY	UNIT	REVISION

DB7/10 Outline Dimensions - Flange Housing (R100512)

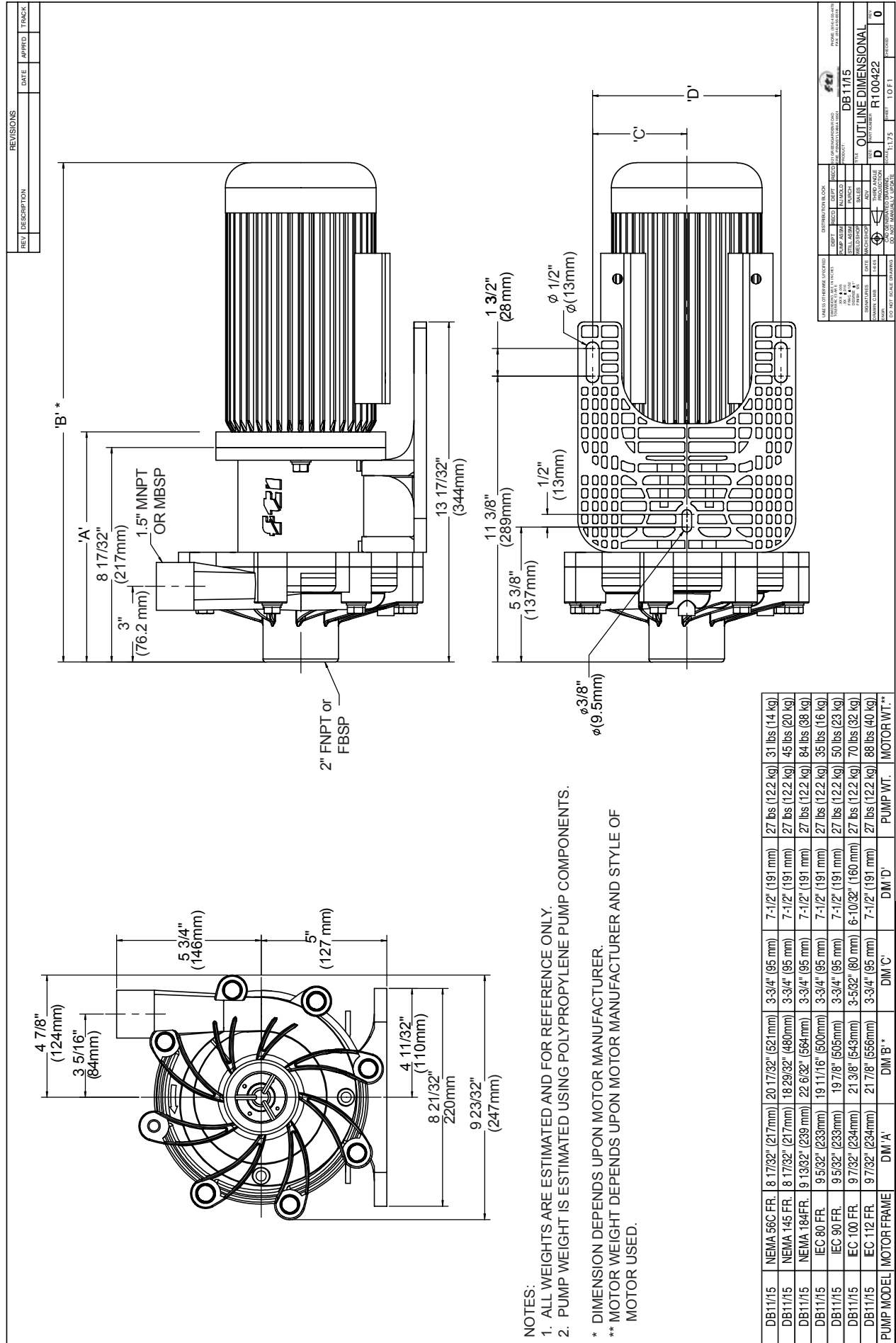


NOTES:
 1. DIMENSIONS AND WEIGHTS ARE FOR REFERENCE ONLY.
 2. PUMP WEIGHT IS ESTIMATED USING POLYPROPYLENE COMPONENTS.
 ** DIMENSION DEPENDS UPON MOTOR MANUFACTURER.
 *** MOTOR WEIGHT DEPENDS UPON MOTOR MANUFACTURER AND STYLE OF MOTOR CHOSEN.

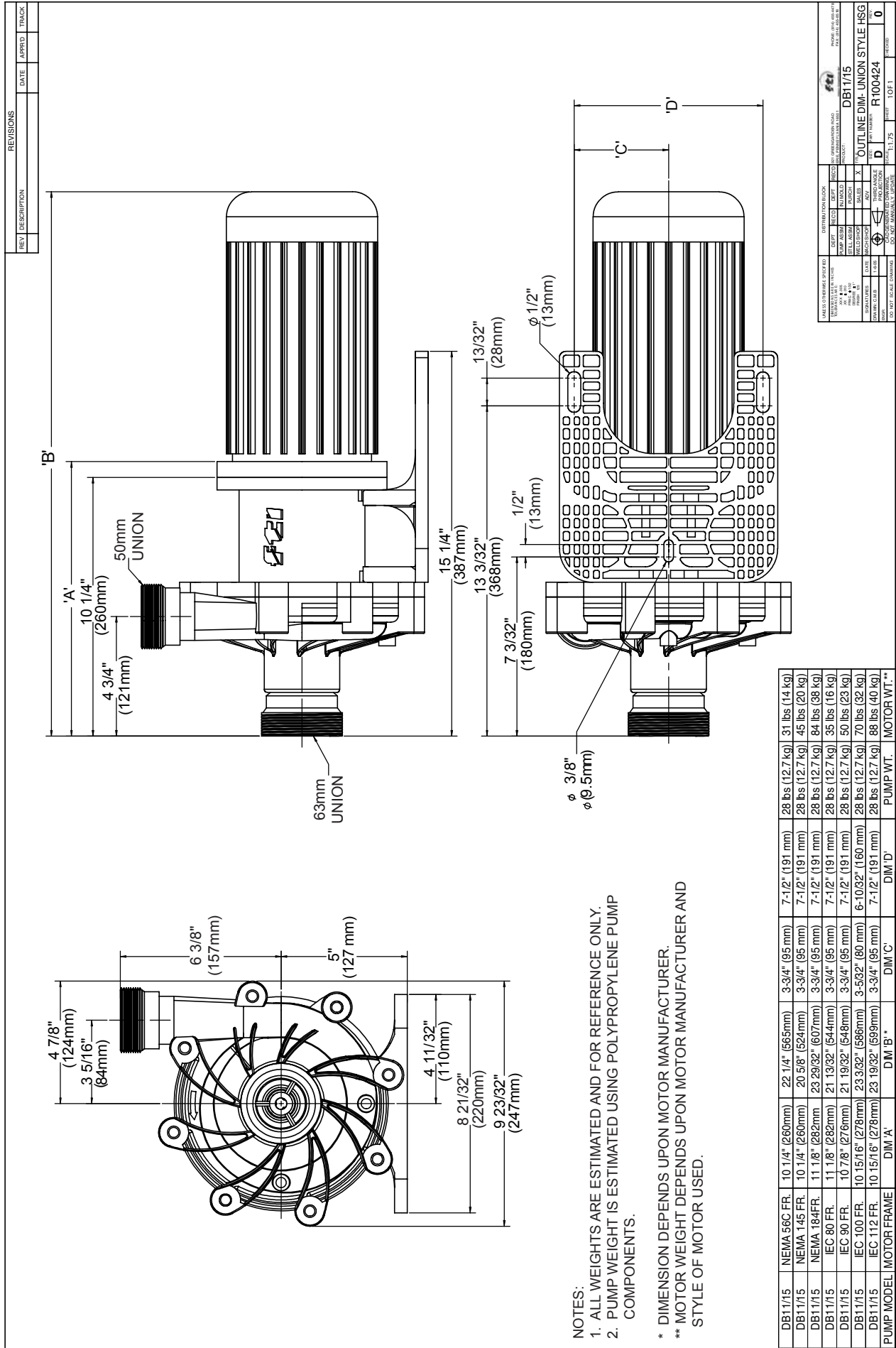
DB7/10	NEMA 55C	8-12" (21.6 CM)	18-34" (47.6 CM)	2-71/8" (6.2 CM)	4-71/8" (12.4 CM)	3-1/2" (8.9 CM)	11-1/4" (28.6 CM)	3" (7.6 CM)	11-3/4" (29.8 CM)	3-3/8" (8.6 CM)	10.5 LBS (4.8 KG)	28 LBS (12.7 KG)
DB7/10	NEMA 145TC	8-12" (21.6 CM)	18-34" (47.6 CM)	2-3/4" (7.0 CM)	5-1/2" (14.0 CM)	3-1/2" (8.9 CM)	11-1/4" (28.6 CM)	3" (7.6 CM)	11-3/4" (29.8 CM)	3-3/8" (8.6 CM)	10.5 LBS (4.8 KG)	28 LBS (12.7 KG)
DB7/10	IEC 65-B14 OR B5 FLANGE	8-15/16" (22.7 CM)	15-3/16" (41.1 CM)	1-3/16" (5.0 CM)	3-15/16" (10.0 CM)	2-15/32" (6.3 CM)	10-7/8" (27.3 CM)	2-1/2" (6.4 CM)	10-7/8" (27.3 CM)	3-3/8" (8.6 CM)	14.0 LBS (6.4 KG)	32 LBS (14.5 KG)
DB7/10	IEC 71-B14 OR B5 FLANGE	8-15/16" (22.7 CM)	17-1/8" (43.5 CM)	2-7/32" (5.6 CM)	4-13/32" (11.3 CM)	2-5/32" (7.0 CM)	10-23/32" (32.2 CM)	3-17/32" (9.0 CM)	10-23/32" (32.2 CM)	3-3/8" (8.6 CM)	14.0 LBS (6.4 KG)	32 LBS (14.5 KG)
DB7/10	IEC 80-B14	9-1/8" (23.2 CM)	18-5/8" (47.3 CM)	2-15/32" (6.3 CM)	4-29/32" (13.5 CM)	2-5/32" (7.0 CM)	11-1/8" (28.9 CM)	3-15/16" (10.0 CM)	11-1/8" (28.9 CM)	3-3/8" (8.6 CM)	14.0 LBS (6.4 KG)	32 LBS (14.5 KG)
DB7/10	IEC 90-B5	9-1/8" (23.2 CM)	18-5/8" (47.3 CM)	2-15/32" (6.3 CM)	4-29/32" (13.5 CM)	2-5/32" (7.0 CM)	11-1/8" (28.9 CM)	3-15/16" (10.0 CM)	11-1/8" (28.9 CM)	3-3/8" (8.6 CM)	14.0 LBS (6.4 KG)	32 LBS (14.5 KG)
DB7/10	IEC 90-B14	9-1/8" (23.2 CM)	18-5/8" (47.3 CM)	2-15/32" (6.3 CM)	5-1/2" (14.0 CM)	3-17/32" (8.0 CM)	11-29/32" (38.7 CM)	3-15/16" (10.0 CM)	11-29/32" (38.7 CM)	3-3/8" (8.6 CM)	16.5 LBS (7.5 KG)	37 LBS (17.0 KG)
DB7/10	IEC 90-B5	9-1/8" (23.2 CM)	18-5/8" (47.3 CM)	2-3/4" (7.0 CM)	5-1/2" (14.0 CM)	3-17/32" (8.0 CM)	11-29/32" (38.7 CM)	3-15/16" (10.0 CM)	11-29/32" (38.7 CM)	3-3/8" (8.6 CM)	16.5 LBS (7.5 KG)	37 LBS (17.0 KG)
PUMP MODEL	MOTOR FRAME	DIM 'A'	DIM 'B'	DIM 'C'	DIM 'D'	DIM 'E'	DIM 'F'	DIM 'G'	DIM 'H'	DIM 'I'	PUMP WT	MOTOR WT **

WILHELM KELLER GmbH & Co.KG | Herdweg 1 | 72147 Nehren
www.keller-pumpen.de | info@keller-pumpen.de | +49 (0) 7473 / 9449-0

DB11/15 OUTLINE DIMENSIONS - THREADED HOUSING (R100422)



DB11/15 OUTLINE DIMENSIONS - UNION HOUSING (R100424)



NOTES:
 1. ALL WEIGHTS ARE ESTIMATED AND FOR REFERENCE ONLY.
 2. PUMP WEIGHT IS ESTIMATED USING POLYPROPYLENE PUMP COMPONENTS.
 * DIMENSION DEPENDS UPON MOTOR MANUFACTURER.
 ** MOTOR WEIGHT DEPENDS UPON MOTOR MANUFACTURER AND STYLE OF MOTOR USED.

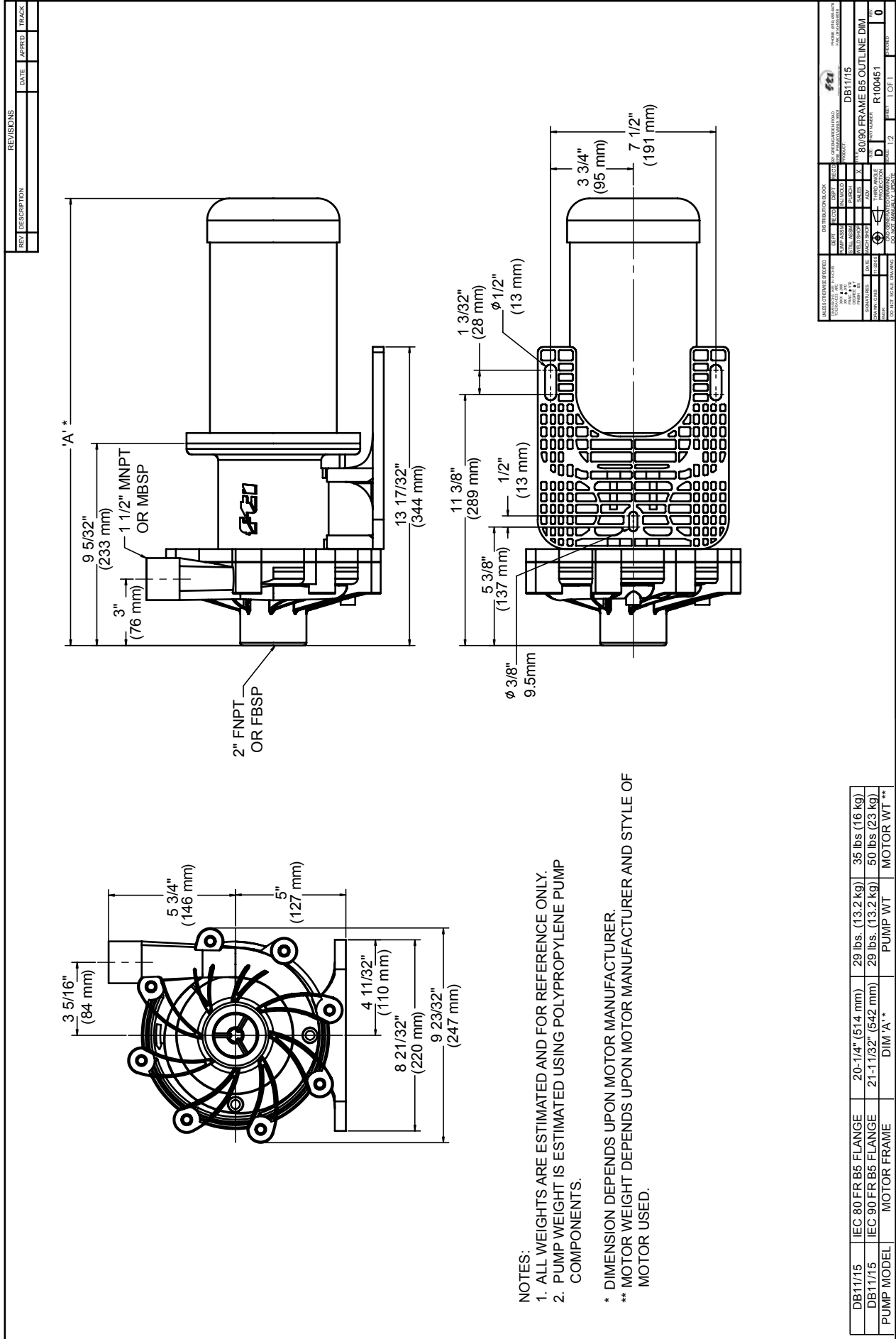
REV	DESCRIPTION	DATE	APPROV	TRACK

LINE NO	REV	SCALE	DATE	BY	CHK	APP	TRACK



WILHELM KELLER GmbH & Co.KG | Herdweg 1 | 72147 Nehren
 www.keller-pumpen.de | info@keller-pumpen.de | +49 (0) 7473 / 9449-0

DB11/15 OUTLINE DIMENSIONS - THREADED HSG - 80-90 FR B5 (R100451)



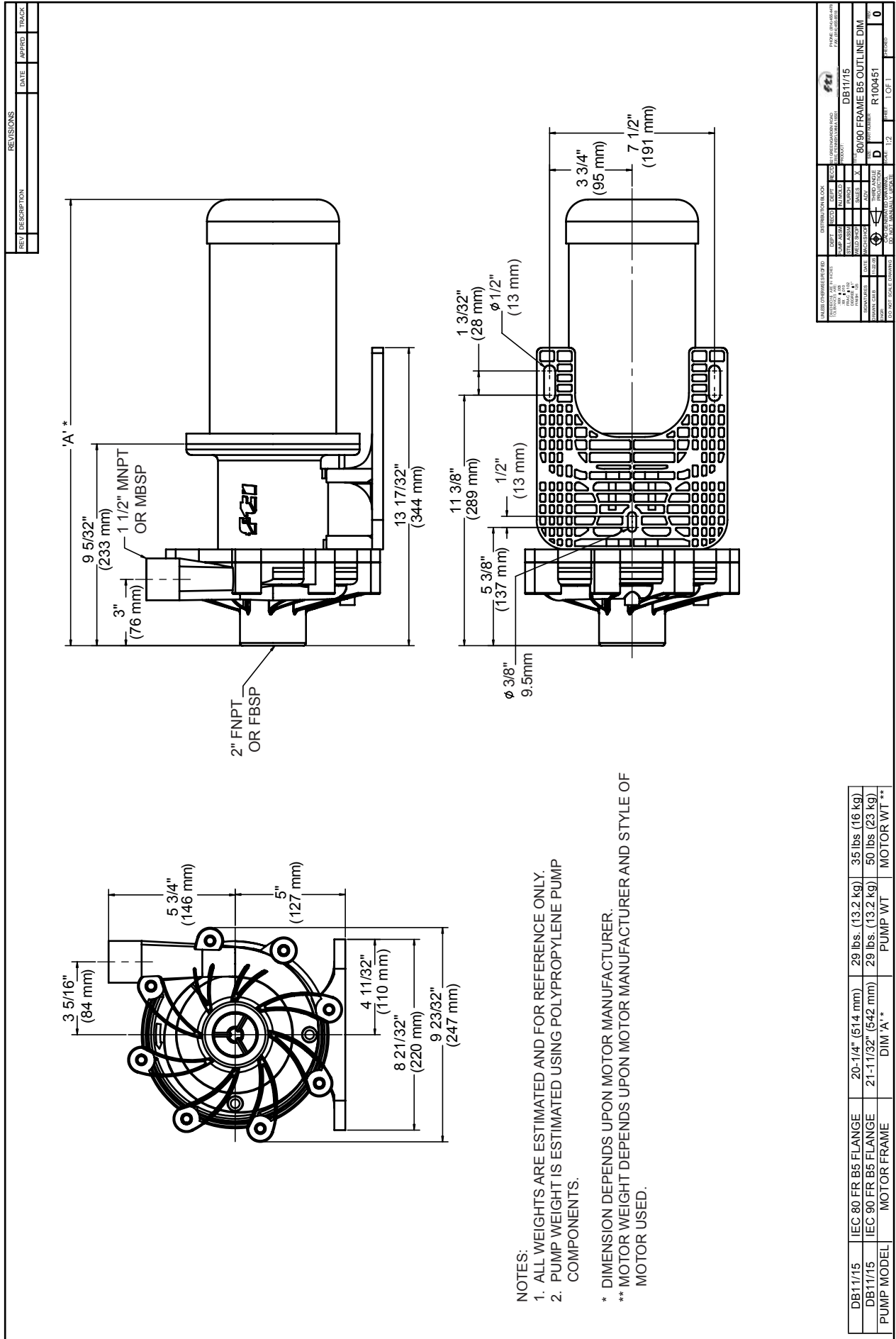
- NOTES:
1. ALL WEIGHTS ARE ESTIMATED AND FOR REFERENCE ONLY.
 2. PUMP WEIGHT IS ESTIMATED USING POLYPROPYLENE PUMP COMPONENTS.
- * DIMENSION DEPENDS UPON MOTOR MANUFACTURER.
 ** MOTOR WEIGHT DEPENDS UPON MOTOR MANUFACTURER AND STYLE OF MOTOR USED.

PUMP MODEL	MOTOR FRAME	DIM 'A'	PUMP WT	MOTOR WT **
DB11/15	IEC 80 FR B5 FLANGE	20-1/4" (514 mm)	29 lbs. (13.2 kg)	35 lbs (16 kg)
DB11/15	IEC 90 FR B5 FLANGE	21-11/32" (542 mm)	29 lbs. (13.2 kg)	50 lbs (23 kg)

REVISIONS		DATE	APPROVED	TRACK
REV	DESCRIPTION			

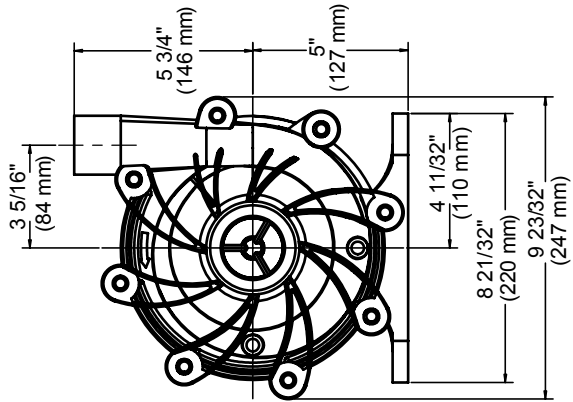
MATERIALS		DISTRIBUTION BLOCK		PROJECT	
ITEM NO.	DESCRIPTION	ITEM NO.	DESCRIPTION	PROJECT NO.	PROJECT NAME
1	DB11/15	1	DB11/15	DB11/15	80-90 FRAME B5 OUTLINE DIM
2	R100451	2	R100451	R100451	

DB11/15 OUTLINE DIMENSIONS - UNION HSG - 80-90 FR B5 (R100452)



REVISIONS		DATE	APPROV	TRACK
REV	DESCRIPTION			

DESIGN	DATE	BY	CHKD	APPD	TRK
DB11/15	08/11/15				
80/90 FRAME BS OUTLINE DIM					
R100451					
PAGE 1 OF 1					



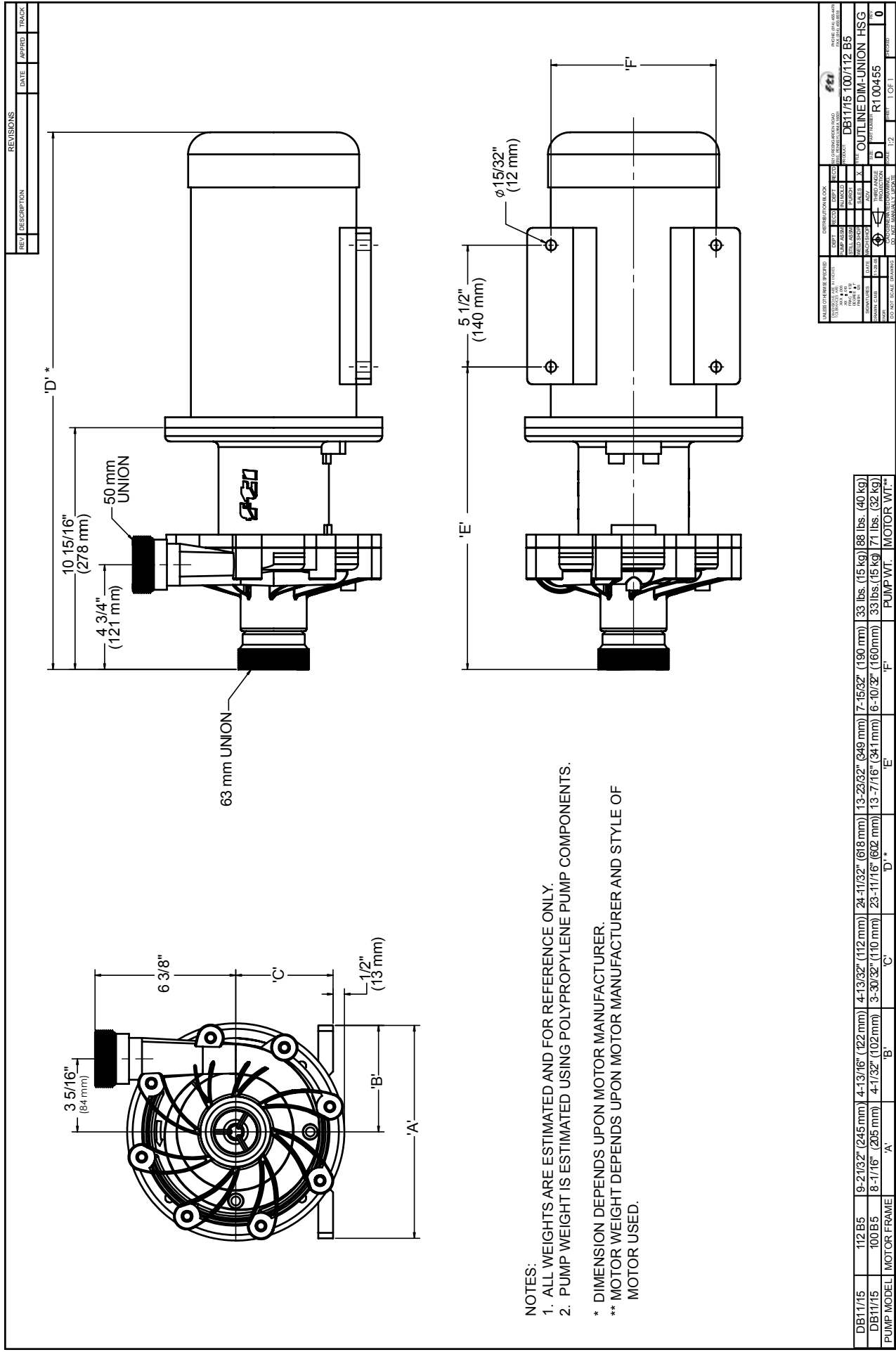
NOTES:
 1. ALL WEIGHTS ARE ESTIMATED AND FOR REFERENCE ONLY.
 2. PUMP WEIGHT IS ESTIMATED USING POLYPROPYLENE PUMP COMPONENTS.
 * DIMENSION DEPENDS UPON MOTOR MANUFACTURER.
 ** MOTOR WEIGHT DEPENDS UPON MOTOR MANUFACTURER AND STYLE OF MOTOR USED.

	IEC 80 FR B5 FLANGE	20-1/4" (514 mm)	29 lbs. (13.2 kg)	35 lbs (16 kg)
	IEC 90 FR B5 FLANGE	21-11/32" (542 mm)	29 lbs. (13.2 kg)	50 lbs (23 kg)
PUMP MODEL	MOTOR FRAME	DIM 'A'	PUMP WT	MOTOR WT **



WILHELM KELLER GmbH & Co.KG | Herdweg 1 | 72147 Nehren
 www.keller-pumpen.de | info@keller-pumpen.de | +49 (0) 7473 / 9449-0

DB11/15 OUTLINE DIMENSIONS - UNION HSG - 100-112 FR B5 (R100455)



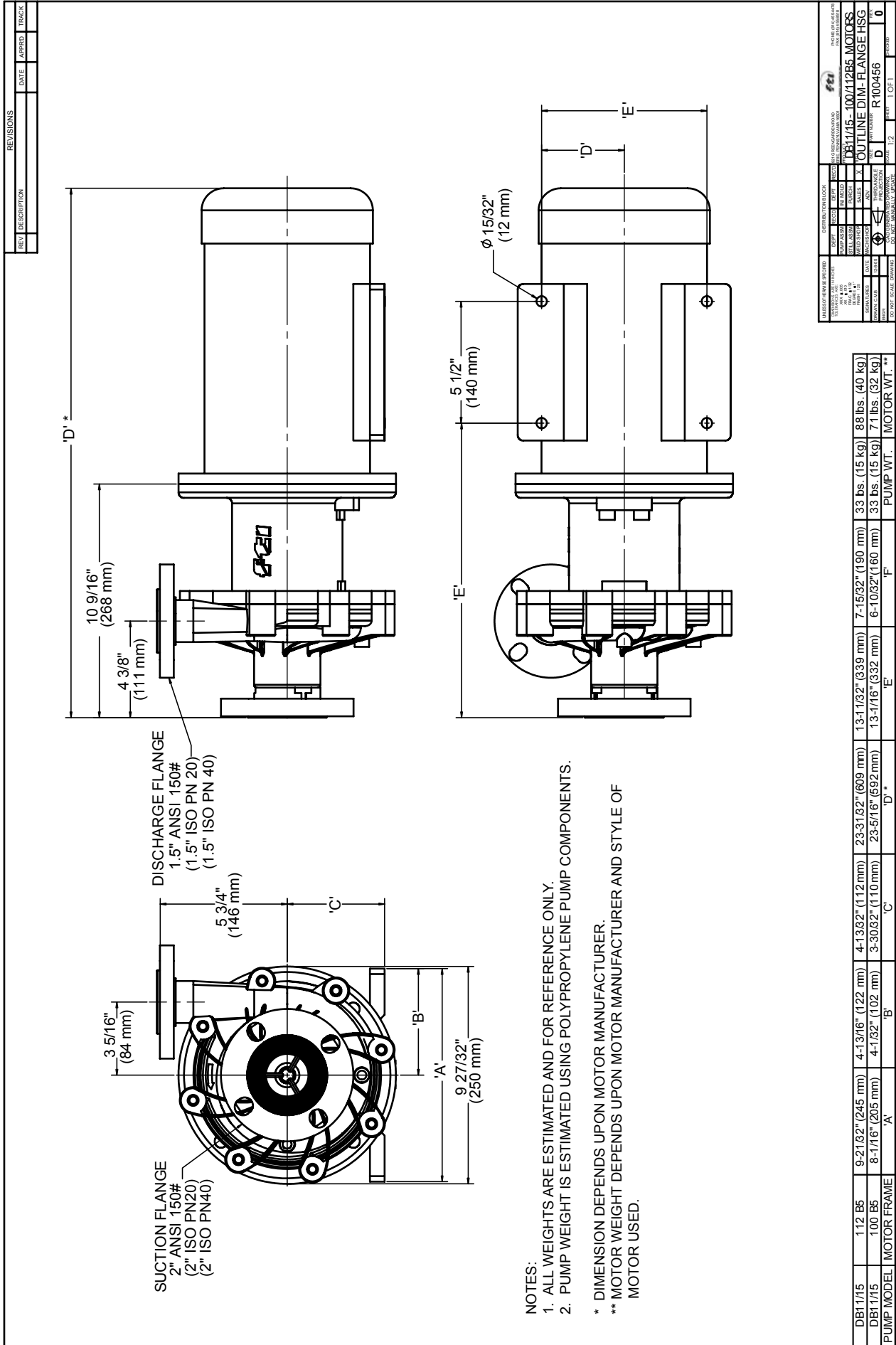
REVISIONS		DATE	APPRD.	TRACK
REV.	DESCRIPTION			

DESIGNATION		CONTROL SYMBOLS		MATERIALS		FINISHES		TOLERANCES		DIMENSIONS	
DB11/15	100/112 B5										
OUTLINE DIM-UNION HSG											
R100455											
DRAFT											
1 OF 1											

DB11/15	112 B5	9-2 1/32" (245 mm)	4-13/16" (122 mm)	4-13/32" (112 mm)	24-11/32" (618 mm)	13-23/32" (949 mm)	7-15/32" (190 mm)	33 lbs. (15 kg)	88 lbs. (40 kg)
DB11/15	100 B5	8-1/16" (205 mm)	4-7/32" (102 mm) <td>3-30/32" (110 mm) <td>23-11/16" (602 mm) <td>13-7/16" (341 mm) <td>6-10/32" (160 mm) <td>33 lbs. (15 kg) <td>71 lbs. (32 kg) </td></td></td></td></td></td>	3-30/32" (110 mm) <td>23-11/16" (602 mm) <td>13-7/16" (341 mm) <td>6-10/32" (160 mm) <td>33 lbs. (15 kg) <td>71 lbs. (32 kg) </td></td></td></td></td>	23-11/16" (602 mm) <td>13-7/16" (341 mm) <td>6-10/32" (160 mm) <td>33 lbs. (15 kg) <td>71 lbs. (32 kg) </td></td></td></td>	13-7/16" (341 mm) <td>6-10/32" (160 mm) <td>33 lbs. (15 kg) <td>71 lbs. (32 kg) </td></td></td>	6-10/32" (160 mm) <td>33 lbs. (15 kg) <td>71 lbs. (32 kg) </td></td>	33 lbs. (15 kg) <td>71 lbs. (32 kg) </td>	71 lbs. (32 kg)
PUMP MODEL	MOTOR FRAME	'A'	'B'	'C'	'D'*	'E'	'F'	PUMP WT.	MOTOR WT.**

NOTES:
 1. ALL WEIGHTS ARE ESTIMATED AND FOR REFERENCE ONLY.
 2. PUMP WEIGHT IS ESTIMATED USING POLYPROPYLENE PUMP COMPONENTS.
 * DIMENSION DEPENDS UPON MOTOR MANUFACTURER.
 ** MOTOR WEIGHT DEPENDS UPON MOTOR MANUFACTURER AND STYLE OF MOTOR USED.

DB11/15 OUTLINE DIMENSIONS - FLANGE HSG - 100-112 FR B5 (R100456)



WILHELM KELLER GmbH & Co.KG | Herdweg 1 | 72147 Nehren
 www.keller-pumpen.de | info@keller-pumpen.de | +49 (0) 7473 / 9449-0

