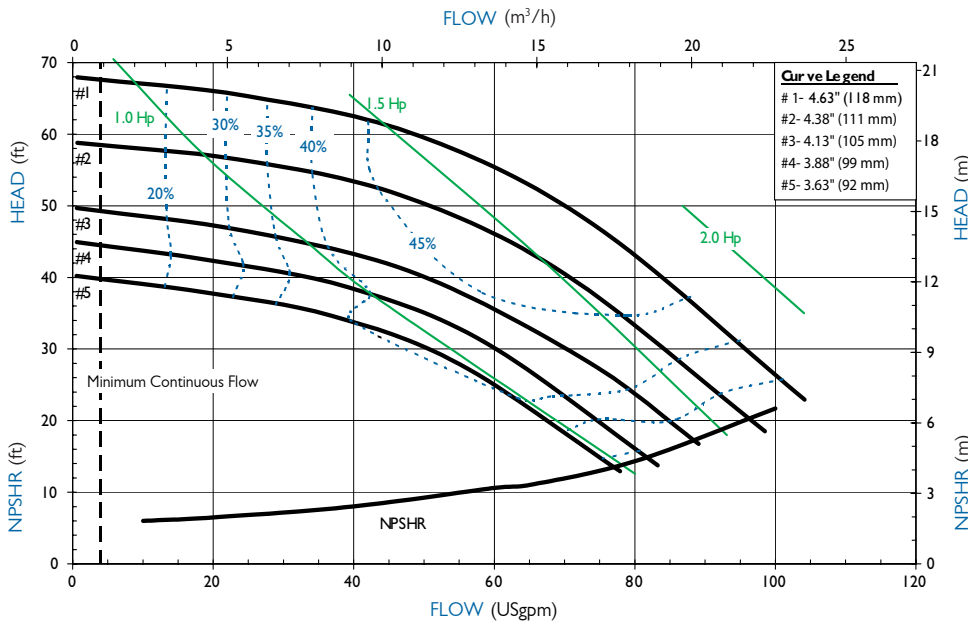




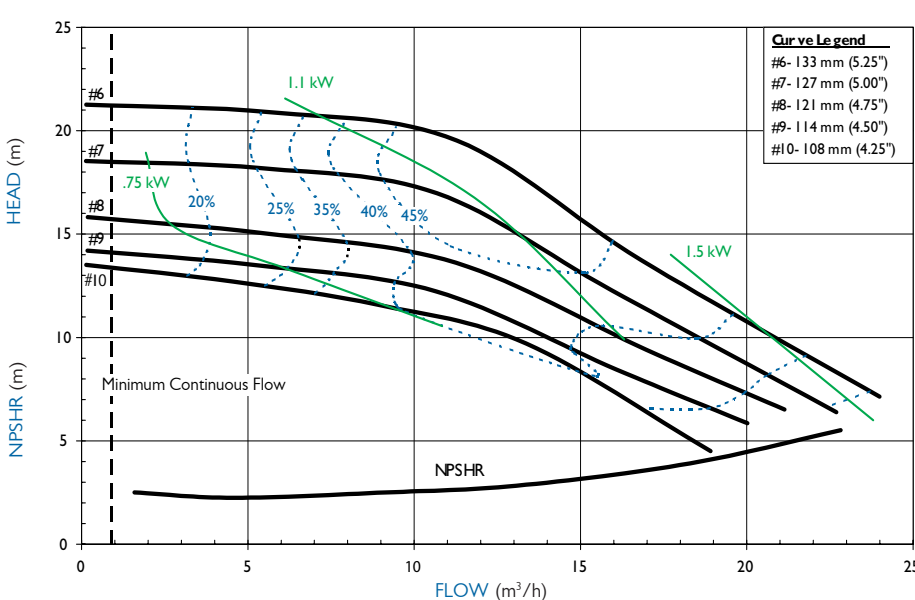
# SP SERIES MODEL SP11



## SP11 PERFORMANCE Flooded Suction 3450 RPM \*



## SP11 PERFORMANCE Flooded Suction 2900 RPM \*



Notes: Performance curves above are based on flooded suction.

\*Performance will vary with suction lift conditions. For performance at various suction lifts, see curve book on FTI web site ([www.finishthompson.com](http://www.finishthompson.com)) or contact factory.

**Warning! SP Series not recommended for pumping flammables!**

## FEATURES & CAPABILITIES

- + Self-priming, magnetic drive
- + Five-year warranty
- + Provides up to 25 ft. (7.6 m) lift or equivalent
- + Primes 18 ft. (5.5 m) in 90 seconds with maximum diameter impeller
- + Retains fluid for re-priming when shut off without a check valve
- + Extended run dry ability (with carbon bushing)
- + High operating efficiency
- + Polypropylene or PVDF construction
- + Powerful neodymium magnets
- + Close-coupled design
- + Threaded (NPT or BSP), union or flange connections
- + Back pullout design
- + Mounts to NEMA and (B5 & B14) IEC motor frames
- + Easy set measurement free drive
- + ISO 1940 G2.5 balancing
- + CE certified
- + High working pressure up to 90 psi (6.2 bar)
- + Specific gravity over 1.8
- + Polypropylene—180° F (82° C)
- + PVDF—220° F (104° C)

## APPLICATIONS

- + Rail cars
- + Tanker trucks
- + Tanks with an opening on top
- + Bulk storage to day or process tank transfer
- + Sumps and reservoirs
- + Below grade storage tanks
- + Over-the-wall applications
- + When run-dry protection is needed
- + and many more!



WILHELM KELLER GmbH & Co.KG | Herdweg 1 | 72147 Nehren

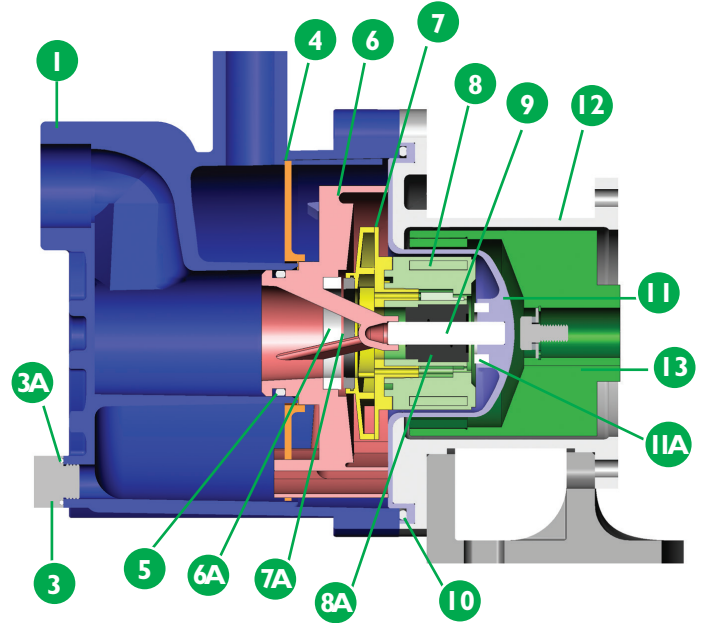
[www.keller-pumpen.de](http://www.keller-pumpen.de) | [info@keller-pumpen.de](mailto:info@keller-pumpen.de) | +49 (0) 7473 / 9449-0

# SP SERIES

## Specifications

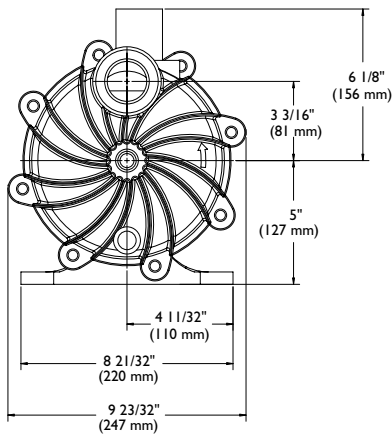
Description	Polypropylene	PVDF
1 Housing	Glass-fiber reinforced polypropylene (GF PP)	Carbon-fiber reinforced PVDF (CF PVDF)
4 Separator plate		
6 Inner volute		
7 Impeller		
3A, 5, 10 O-ring options	FKM, EPDM	
3 Fill and drain plugs*	Polypropylene	PVDF
6A Inner volute thrust ring	High purity alumina ceramic, or silicon carbide (SiC)	
7A Impeller thrust ring	GF molybdenum disulfide filled PTFE, or SiC	
8 Inner drive	Neodymium iron boron magnets encapsulated in unfilled polypropylene	Neodymium iron boron magnets encapsulated in unfilled PVDF
8A Bushing	Carbon, PTFE, high purity alumina ceramic, or SiC	
9 Shaft	High purity alumina ceramic, Hastelloy® C, or SiC	
11 Barrier	GF PP	CF PVDF
11A Barrier thrust ring	High purity alumina ceramic	
12 Motor adapter	Ductile iron	
13 Outer drive magnets	Nickel-plated neodymium iron boron magnets/steel	

\*Fill plug not shown

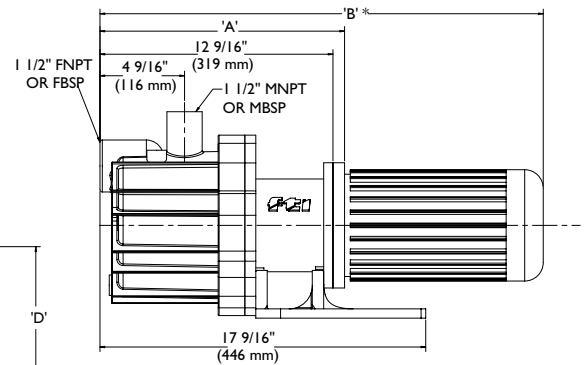
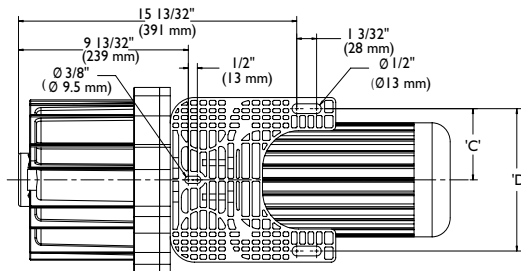


Hastelloy® C is a registered trademark of Haynes International, Inc.

## Dimensions



Also available 1-1/2" x 1-1/2" 150 lb. ANSI/ISO PN20/PN40/JIS 10K or 50mm x 50mm union connection. Flanges are in compliance with bolting dimensions only.



Motor Frame	A	B	C <sup>†</sup>	D <sup>†</sup>	lbs. [kg] PP	lbs. [kg] PVDF
NEMA 56C	12-9/16" [31.9 cm]	24-9/16" [62.4 cm]	3-3/4" [9.5 cm]	7-1/2" [19.1 cm]	25 [11.3]	30 [13.6]
NEMA 145TC	12-9/16" [31.9 cm]	23-5/16" [59.2 cm]	3-3/4" [9.5 cm]	7-1/2" [19.1 cm]	25 [11.3]	30 [13.6]
NEMA 184TC	13-7/16" [31.4 cm]	25-11/16" [66.6 cm]	3-3/4" [9.5 cm]	7-1/2" [19.1 cm]	26 [11.8]	31 [14.1]
IEC 80/90 w/B14 or B5	13-3/16" [33.5 cm]	23-7/8" [60.6 cm]	3-3/4" [9.5 cm]	7-1/2" [19.1 cm]	25.5 [11.6]	30.5 [13.8]
IEC 100 w/B14	13-1/4" [33.7 cm]	25-13/32" [64.5 cm]	3-5/32" [8.0 cm]	6-10/32" [16.0 cm]	25.5 [11.6]	30.5 [13.8]
IEC 112 w/B14	13-1/4" [33.7 cm]	25-29/32" [65.8 cm]	3-3/4" [9.5 cm]	7-1/2" [19.1 cm]	25.5 [11.6]	30.5 [13.8]
IEC 100 w/B5	13-1/4" [33.7 cm]	25-25/32" [65.5 cm]	3-5/32" [8.0 cm]	6-10/32" [16.0 cm]	31.5 [14.3]	36.5 [16.6]
IEC112 w/B5	13-1/4" [33.7 cm]	26-5/8" [67.6 cm]	3-3/4" [9.5 cm]	6-10/32" [16.0 cm]	31.5 [14.3]	36.5 [16.6]

Dimensions and weights are for reference only. Weights listed are for pump only; motor not included.

<sup>†</sup>Varies with motor manufacturer.



WILHELM KELLER GmbH & Co.KG | Herdweg 1 | 72147 Nehren

www.keller-pumpen.de | info@keller-pumpen.de | +49 (0) 7473 / 9449-0