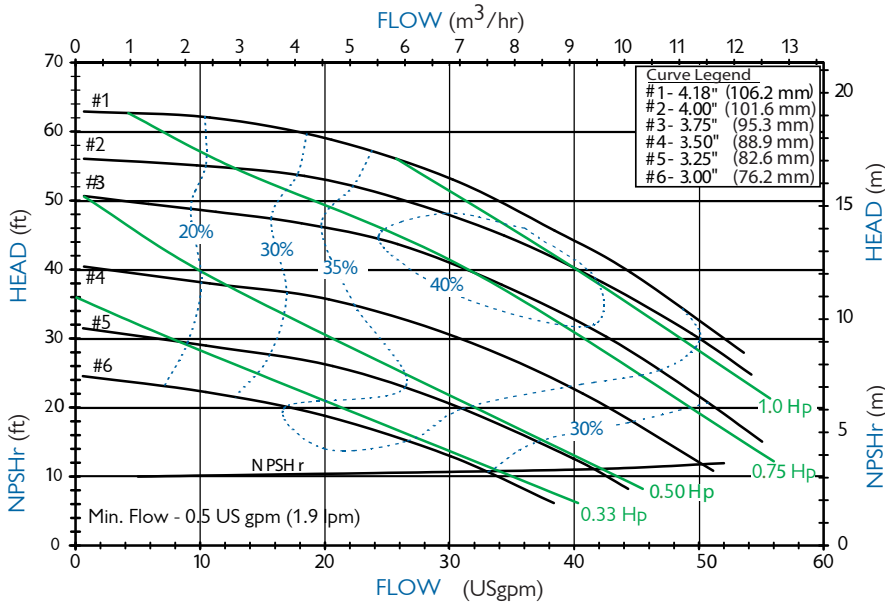




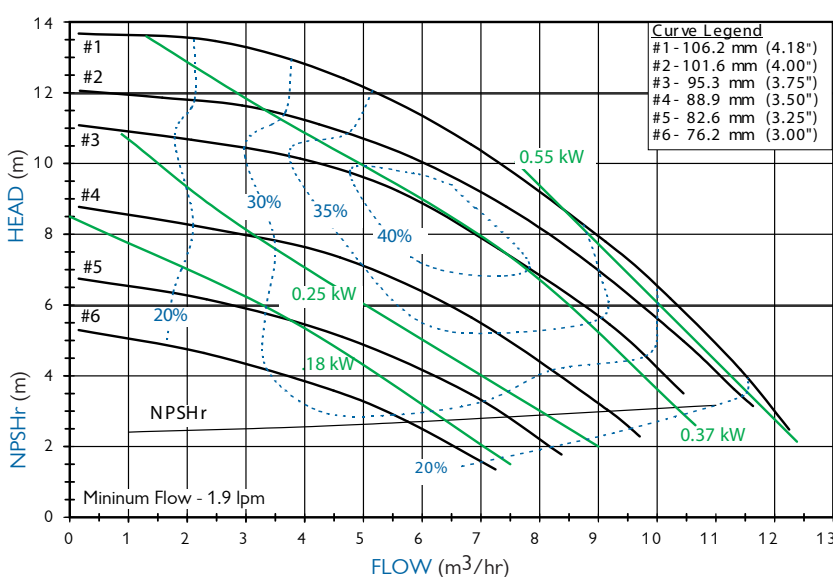
# SP SERIES MODEL SP10



## SP10 PERFORMANCE Flooded Suction 3450 RPM



## SP10 PERFORMANCE Flooded Suction 2900 RPM



## FEATURES & CAPABILITIES

- + Self-priming, magnetic drive
- + Five-year warranty
- + Provides up to 25 ft. (7.6 m) lift or equivalent
- + Primes 15 ft. (4.57 m) in 90 seconds with maximum diameter impeller
- + Retains fluid for re-priming when shut off without a check valve
- + Extended run dry ability (with carbon bushing)
- + High operating efficiency
- + Polypropylene or PVDF construction
- + Powerful neodymium magnets
- + Close-coupled design
- + Threaded (NPT or BSP), union, or flange connections
- + Back pullout design
- + Mounts to NEMA and IEC (B5 & B14) motor frames
- + Easy set measurement free drive
- + ISO 1940 G2.5 balancing
- + CE certified
- + High working pressure up to 80 psi (5.5 bar)
- + Specific gravity over 1.8
- + Polypropylene—180° F (82° C)
- + PVDF—220° F (104° C)

## APPLICATIONS

- + Rail cars
- + Tanker trucks
- + Tanks with an opening on top
- + Bulk storage to day or process tank transfer
- + Sumps and reservoirs
- + Below grade storage tanks
- + Over-the-wall applications
- + When run-dry protection is needed
- + and many more!

Notes: Performance curves above are based on flooded suction.

\*Performance will vary with suction lift conditions. For performance at various suction lifts, see curve book on FTI web site ([www.finishthompson.com](http://www.finishthompson.com)) or contact factory.

**Warning! SP Series not recommended for pumping flammables!**



WILHELM KELLER GmbH & Co.KG | Herdweg 1 | 72147 Nehren

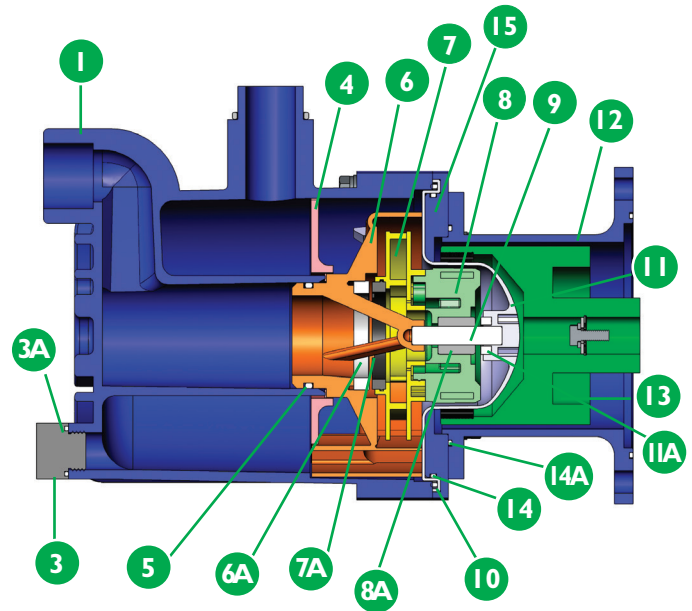
[www.keller-pumpen.de](http://www.keller-pumpen.de) | [info@keller-pumpen.de](mailto:info@keller-pumpen.de) | +49 (0) 7473 / 9449-0

# SP SERIES

## Specifications

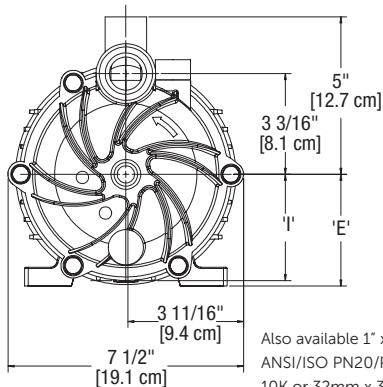
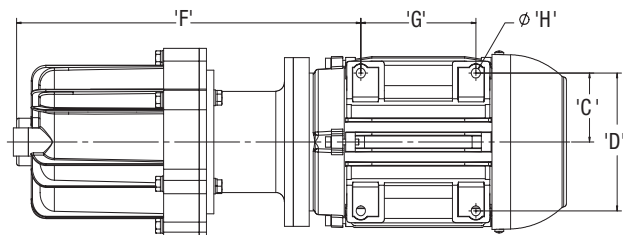
Description		Polypropylene	PVDF
1	Housing	Glass-fiber reinforced polypropylene (GF PP)	Carbon-fiber reinforced PVDF (CF PVDF)
4	Separator plate		
6	Inner volute		
7	Impeller		
3A, 5, 10	O-ring options	FKM, EPDM	
3	Fill and drain plugs*	Polypropylene	PVDF
6A	Inner volute thrust ring	High purity alumina ceramic, or silicon carbide (SiC)	
7A	Impeller thrust ring	GF molybdenum disulfide filled PTFE or SiC	
8	Inner drive	Neodymium iron boron magnets encapsulated in unfilled polypropylene	Neodymium iron boron magnets encapsulated in unfilled PVDF
8A	Bushing	Carbon, PTFE, high purity alumina ceramic, or SiC	
9	Shaft	High purity alumina ceramic, Hastelloy® C, or SiC	
11	Barrier	GF PP	CF PVDF
11A	Barrier thrust ring	Silicon carbide	
12	Motor adapter	Ductile iron	
13	Outer drive magnets	Nickel-plated neodymium iron boron magnets/ steel	
14	NEMA motor adapter sealing kit	Buna N, FKM, or EPDM	
15	Clamp ring	Carbon steel	

\*Fill plug not shown

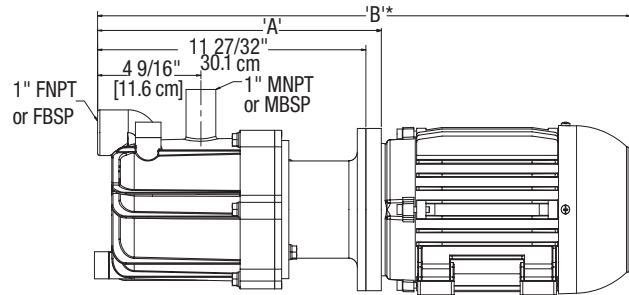


Hastelloy® C is a registered trademark of Haynes International, Inc.

## Dimensions



Also available 1" x 1" 150 lb. ANSI/ISO PN20/PN40/JIS 10K or 32mm x 32mm union connection. Flanges are in compliance with bolting dimensions only.



Frame Size	A	B*	C	D	E
NEMA 56C	11-27/32" (30.1 cm)	22-3/32" (56.1 cm)	2-7/16" (6.2 cm)	4-7/8" (12.4 cm)	3-1/2" (8.9 cm)
NEMA 145TC	11-27/32" (30.1 cm)	23-1/16" (58.6 cm)	2-3/4" (7.0 cm)	5-1/2" (14.0 cm)	3-1/2" (8.9 cm)
IEC63 B14/B5	12-3/16" (31.0 cm)	18-31/32" (48.2 cm)	1-31/32" (5.0 cm)	3-15/16" (10.0 cm)	2-15/32" (6.3 cm)
IEC71 B14/B5	12-3/16" (31.0 cm)	20-1/2" (52.0 cm)	2-7/32" (5.6 cm)	4-13/32" (11.2 cm)	2-25/32" (7.1 cm)
IEC80 B14/B5	12-17/32" (31.8 cm)	21-3/4" (55.2 cm)	2-15/32" (6.3 cm)	4-29/32" (12.5 cm)	3-5/32" (8.0 cm)
IEC90 B14/B5	12-17/32" (31.8 cm)	23-17/32" (59.8 cm)	2-3/4" (7.0 cm)	5-1/2" (14.0 cm)	3-17/32" (9.0 cm)

Frame Size	F	G	H	I	Pump Wt. - lbs (kg)	Motor Wt. ** - lbs. (kg)
NEMA 56C	14-19/32" (37.1 cm)	3" (7.6 cm)	11/32" (0.9 cm)	3-3/8" (8.6 cm)	13 (5.9)	28 (12.7)
NEMA 145TC	14-7/32" (36.1 cm)	5" (12.7 cm)	11/32" (0.9 cm)	3-3/8" (8.6 cm)	13 (5.9)	32 (14.5)
IEC63 B14/B5	13-5/16" (33.8 cm)	3-5/32" (8.0 cm)	9/32" (0.7 cm)	3-3/8" (8.6 cm)	16.5 (7.5)	17 (7.7)
IEC71 B14/B5	14-1/16" (35.7 cm)	3-17/32" (9.0 cm)	9/32" (0.7 cm)	3-3/8" (8.6 cm)	16.5 (7.5)	22 (10.0)
IEC80 B14/B5	14-7/16" (36.7 cm)	3-15/16" (10.0 cm)	13/32" (1.0 cm)	3-15/16" (10.0 cm)	19 (8.6)	37.5 (17.0)
IEC90 B14/B5	14-23/32" (37.4 cm)	3-15/16" (10.0 cm)	13/32" (1.0 cm)	3-15/16" (10.0 cm)	19 (8.6)	37.5 (17.0)

Dimensions and weights are for reference only.

\*Varies with motor manufacturer.

\*\*Depends upon motor manufacturer and style of motor chosen.



WILHELM KELLER GmbH & Co.KG | Herdweg 1 | 72147 Nehren

www.keller-pumpen.de | info@keller-pumpen.de | +49 (0) 7473 / 9449-0