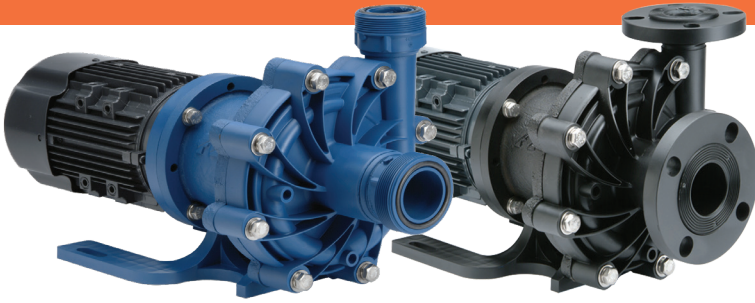




DB SERIES

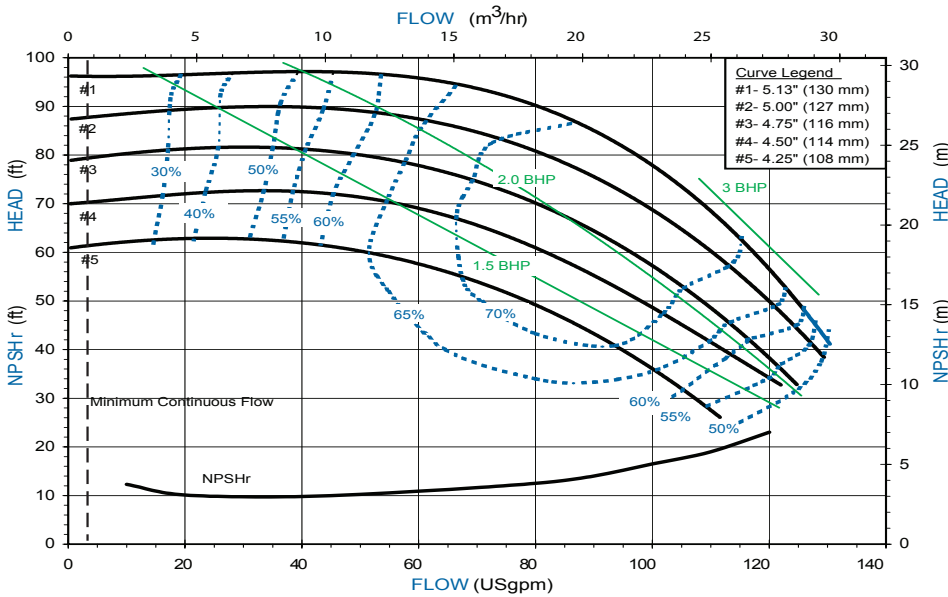
MODEL DB15



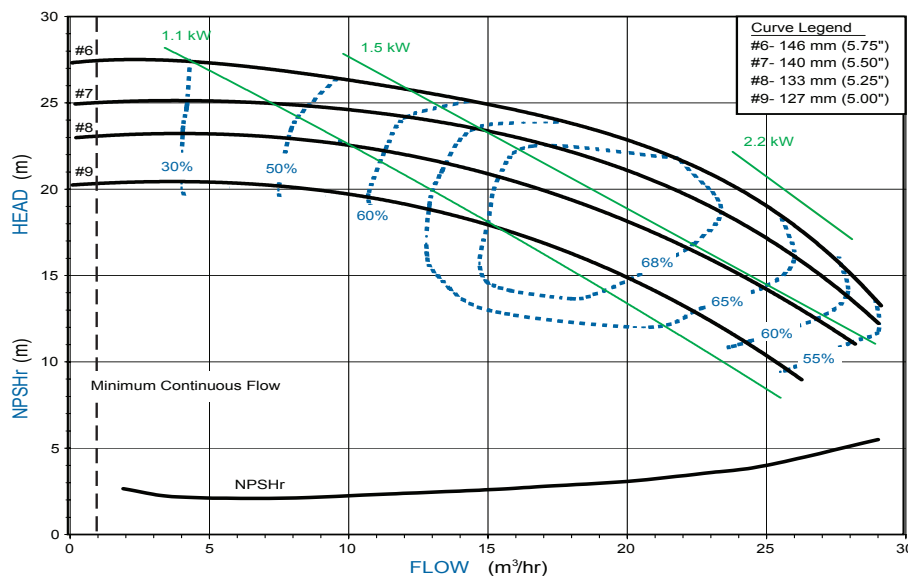
5
YEAR
WARRANTY



DB15 PERFORMANCE 3450 RPM



DB15 PERFORMANCE 2900 RPM



FEATURES & CAPABILITIES

- + Five-year warranty
- + Extended run dry ability (with carbon bushing)
- + High operating efficiency
- + Easy set, measurement-free drive
- + Polypropylene or PVDF construction
- + Powerful neodymium magnets
- + Close-coupled design
- + Threaded (NPT or BSP), union or flange connections
- + Vertical installation option with IEC motor
- + Back pullout design
- + Mounts to NEMA and IEC motor frames
- + Replaceable shaft
- + ISO 1940 G2.5 balancing
- + CE certified/ATEX available
- + Working pressure up to 90 psi (6.2 bar)
- + Specific gravity over 1.8
- + Viscosity up to 150 cP
- + Polypropylene—180° F (82° C)
- + PVDF—220° F (104° C)

APPLICATIONS

- + Chemical processing
- + Plating
- + Water and wastewater
- + Electronics
- + Pharmaceuticals
- + Wet scrubber
- + Pulp and paper
- + Heat exchanger



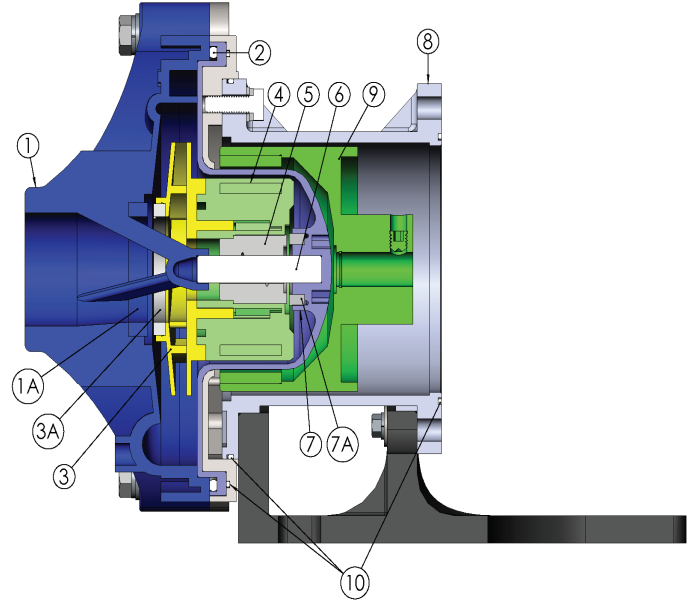
WILHELM KELLER GmbH & Co.KG | Herdweg 1 | 72147 Nehren

www.keller-pumpen.de | info@keller-pumpen.de | +49 (0) 7473 / 9449-0

DB SERIES

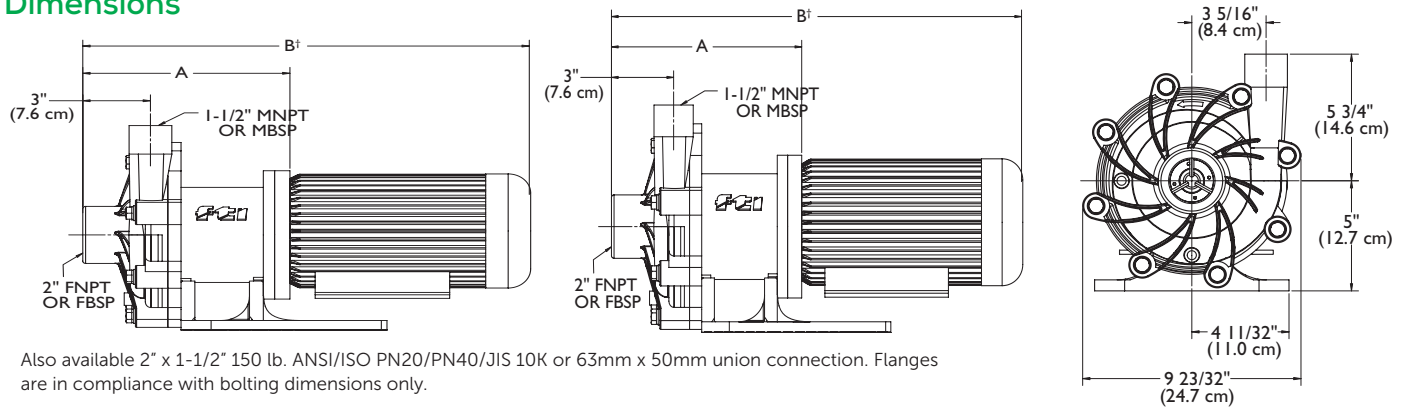
Specifications

| Description | Polypropylene | PVDF |
|---------------------------------|---|--|
| 1 Impeller housing | Glass-fiber reinforced polypropylene (GF PP) | Carbon-fiber reinforced PVDF (CF PVDF) |
| 1A Impeller housing thrust ring | High purity alumina ceramic or silicon carbide (SiC) | |
| 2 O-ring | FKM, EPDM, Simriz®, or Kalrez | |
| 3 Impeller | GF PP | CF PVDF |
| 3A Impeller thrust ring | GF molybdenum disulfide filled PTFE or SiC | |
| 4 Inner drive | Neodymium iron boron magnets encapsulated in unfilled polypropylene | Neodymium iron boron magnets encapsulated in unfilled PVDF |
| 5 Bushing | Carbon, PTFE, high purity alumina ceramic, or SiC | |
| 6 Shaft | High purity alumina ceramic, Hastelloy® C, or SiC | |
| 7 Barrier | GF PP | CF PVDF |
| 7A Barrier thrust ring | High purity alumina ceramic | |
| 8 Motor adapter | GF PP | |
| 9 Outer drive magnets | Nickel-plated neodymium iron boron magnets/ steel | |
| 10 Vapor protection | Buna N | |



Kalrez® is a registered trademark of DuPont Performance Elastomers
 Simriz® Perfluoroelastomer is a registered trademark of the Simrit® division of Freudenberg-NOK
 Hastelloy® C is a registered trademark of Haynes International, Inc.

Dimensions



Also available 2" x 1-1/2" 150 lb. ANSI/ISO PN20/PN40/JIS 10K or 63mm x 50mm union connection. Flanges are in compliance with bolting dimensions only.

| Motor Frame | A | B [†] | C | D | lbs. [kg] PP | lbs. [kg] PVDF |
|------------------------|--------------------|---------------------|------------------|--------------------|--------------|----------------|
| NEMA 56C | 8-17/32" [21.7 cm] | 20-17/32" [52.1 cm] | 3-3/4" [9.5 cm] | 7-1/2" [19.1 cm] | 21.6 [9.8] | 22.8 [10.3] |
| NEMA 145TC | 8-17/32" [21.7 cm] | 18-29/32" [48.0 cm] | 3-3/4" [9.5 cm] | 7-1/2" [19.1 cm] | 21.6 [9.8] | 22.8 [10.3] |
| NEMA 184TC | 9-13/32" [23.9 cm] | 22-6/32" [56.4 cm] | 3-3/4" [9.5 cm] | 7-1/2" [19.1 cm] | 25.7 [11.7] | 26.9 [12.2] |
| IEC 80/90 w/B14 or B5* | 9-5/32" [23.3 cm] | 19-11/16" [50.0 cm] | 3-3/4" [9.5 cm] | 7-1/2" [19.1 cm] | 22.1 [10] | 23.3 [10.6] |
| IEC 80/90 w/B14 ATEX | 9-5/32" [23.3 cm] | 19-7/8" [50.5 cm] | 3-3/4" [9.5 cm] | 7-1/2" [19.1 cm] | N/A | 23.5 [10.7] |
| IEC 100 w/B14 or B5* | 9-7/32" [23.4 cm] | 21-3/8" [54.3 cm] | 3-5/32" [8.0 cm] | 6-10/32" [16.0 cm] | 25.2 [11.4] | 26.4 [12] |
| IEC 100 w/B14 ATEX | 9-7/32" [23.4 cm] | 21-3/8" [54.3 cm] | 3-5/32" [8.0 cm] | 6-10/32" [16.0 cm] | N/A | 26.6 [12.1] |
| IEC 112 w/B14 or B5* | 9-7/32" [23.4 cm] | 21-7/8" [55.6 cm] | 3-3/4" [9.5 cm] | 7-1/2" [19.1 cm] | 25.2 [11.4] | 26.4 [12] |
| IEC 112 w/B14 ATEX | 9-7/32" [23.4 cm] | 21-7/8" [55.6 cm] | 3-3/4" [9.5 cm] | 7-1/2" [19.1 cm] | N/A | 26.6 [12.1] |

Note: Contact factory for dimensions on flanged or union models. *For B5 weight, add 3 lbs. to 80/90 B14 frame weight and 6 lbs. to 100/112 B14 frame weight.

[†]Varies with motor manufacturer.



WILHELM KELLER GmbH & Co.KG | Herdweg 1 | 72147 Nehren

www.keller-pumpen.de | info@keller-pumpen.de | +49 (0) 7473 / 9449-0