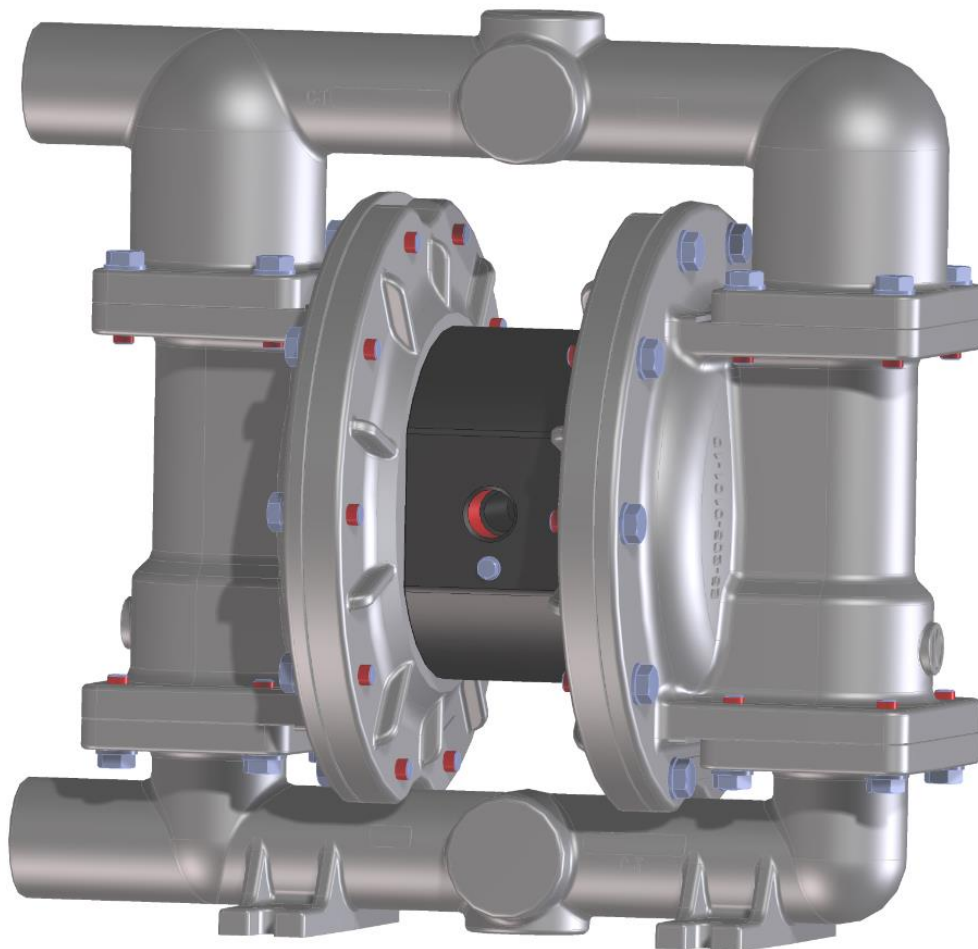




KELLER Pumps

## Datasheet Air Operated Diaphragm Pump

WK25 / XWK25

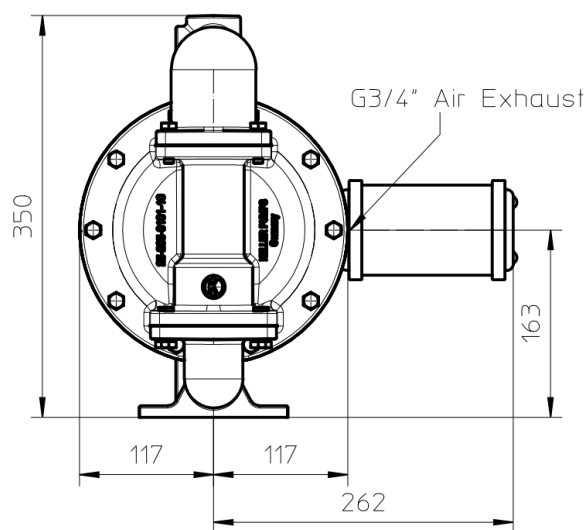


English

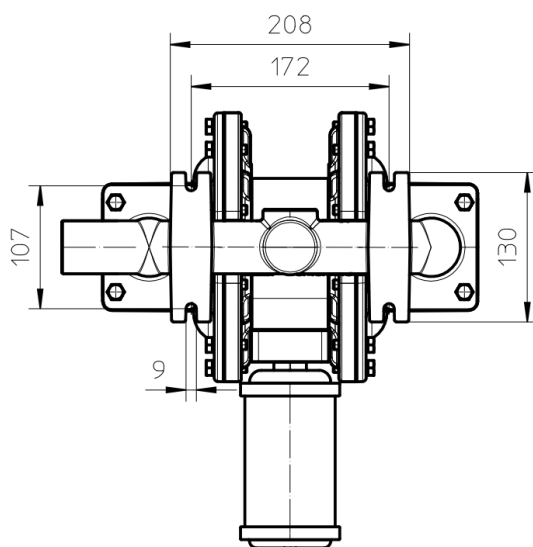
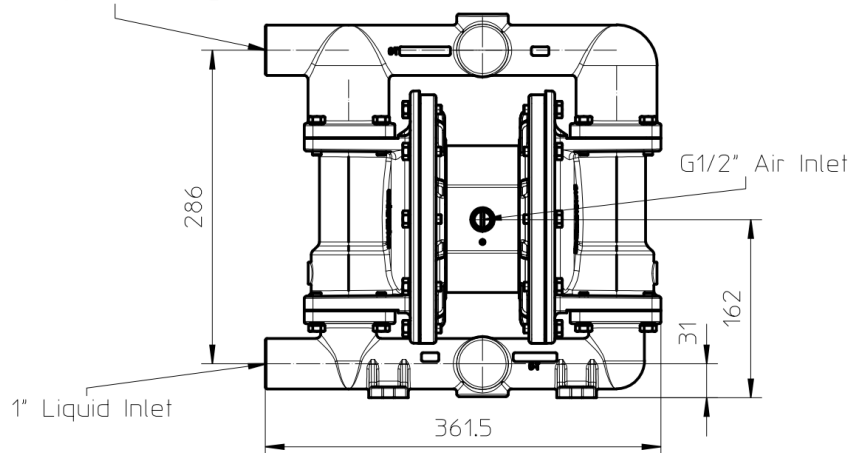
WILHELM KELLER GmbH, Herdweg 1, D-72147 Nehren  
[www.keller-pumpen.de](http://www.keller-pumpen.de), [info@keller-pumpen.de](mailto:info@keller-pumpen.de),  
Service-Hotline: +49 (0) 7473 / 9449-0

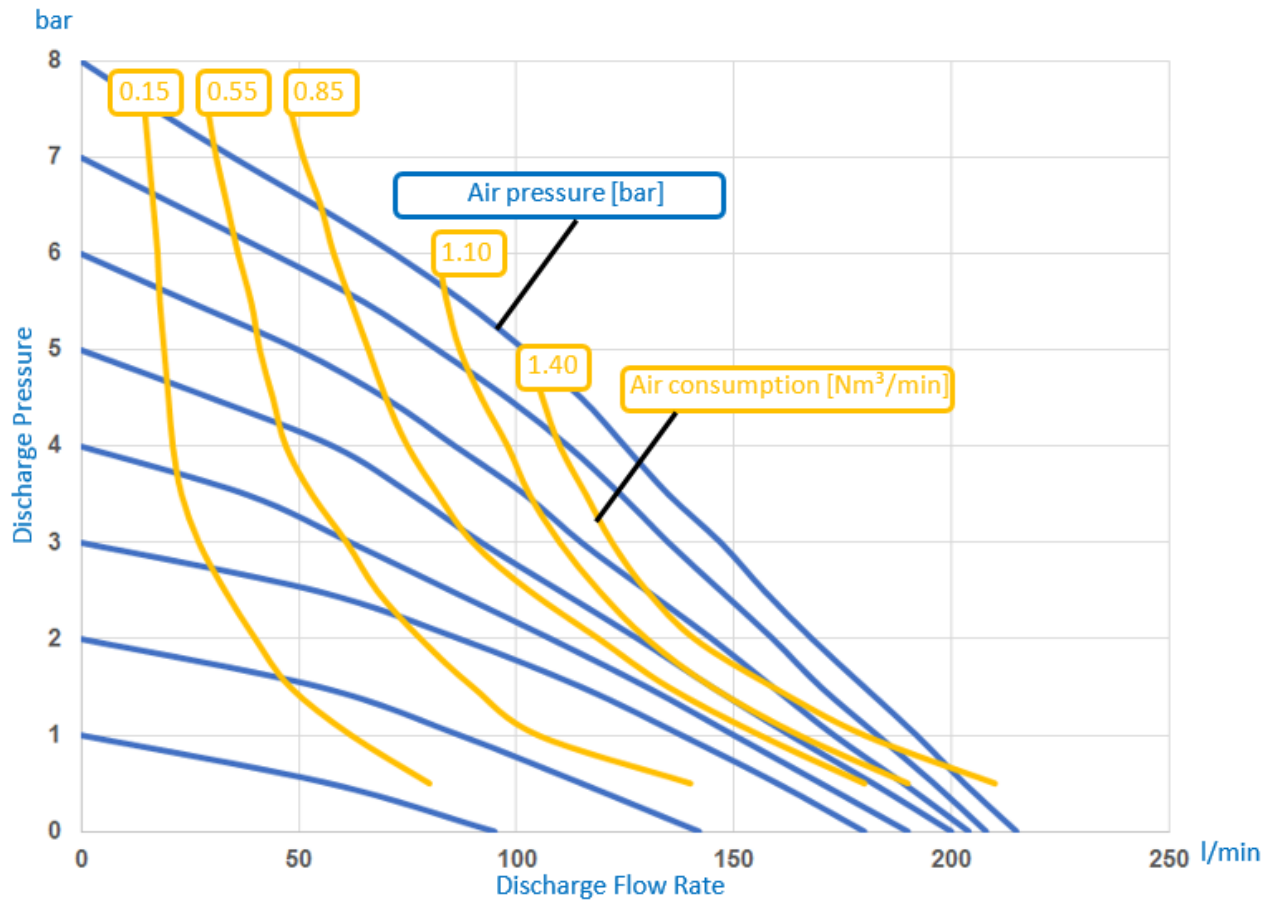


Technical data	WK25 XWK25
Max. flow rate	215 l/min
Max. discharge pressure	8 bar
Connection on the media side	1"
Air inlet	G1/2"
Dry suction capacity	5.5 m
Ball material EPDM, NBR, FKM	5.0 m
Ball material PTFE	
Wet suction capacity	9,0 m
Max. solid particle size	7.5 mm
Weight aluminum	18 kg
Weight stainless steel	29 kg
Air pressure	8 bar
Volume per single stroke	0.33 l/Hub



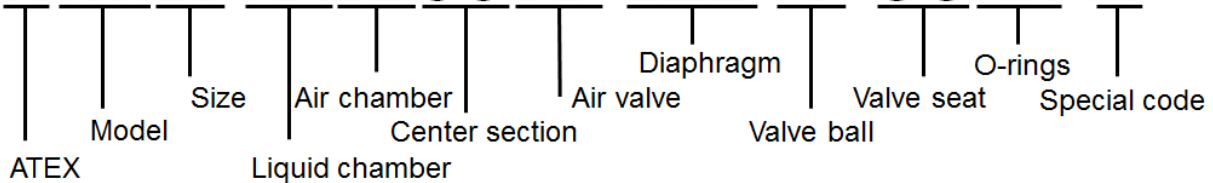
1" Liquid Discharge





Performance of pump with water at 20°C.

# XWK25-AABBCCDD-EEE-FF-GGHH-III



## Model

WK	Standard
XWK	ATEX - Version

## Size - connection nominal width

Nominal	Connection size
25	1"

## Liquid chamber (In contact with pumping medium)

AA	Material
AL	Aluminium
SS	Stainless steel

## Air chamber

BB	Material
AL	Aluminium
SS	Stainless steel

## Center section

CC	Material
PE	Polyethylene

## Special code

000 = BSPT thread, side ported

001 = NPT thread, side ported

002 = DIN flange, side ported

003 = ANSI flange, side ported

004 = BSPT thread, centre ported horizontal

005 = NPT thread, centre ported horizontal

008 = BSPT thread, centre ported vertical

009 = NPT thread, centre ported vertical

## Air valve

DD	Material
PT	PET (Standard)
MV	Solenoid valve
OV	Without valve

## Diaphragm (In contact with pumping medium)

EEE	Material
TEC	PTFE composite membrane with
BNC	NBR composite membrane
EPC	EPDM composite membrane
VTC	FKM composite membrane

## Valve ball (In contact with pumping medium)

FF	Material
TF	PTFE
BN	NBR
EP	EPDM
VT	FKM

## Valve seat (In contact with pumping medium)

GG	Material
AL	Aluminium
SS	Stainless steel

## O-rings (In contact with pumping medium)

HH	Material
TF	PTFE
BN	NBR
EP	EPDM
VT	FKM