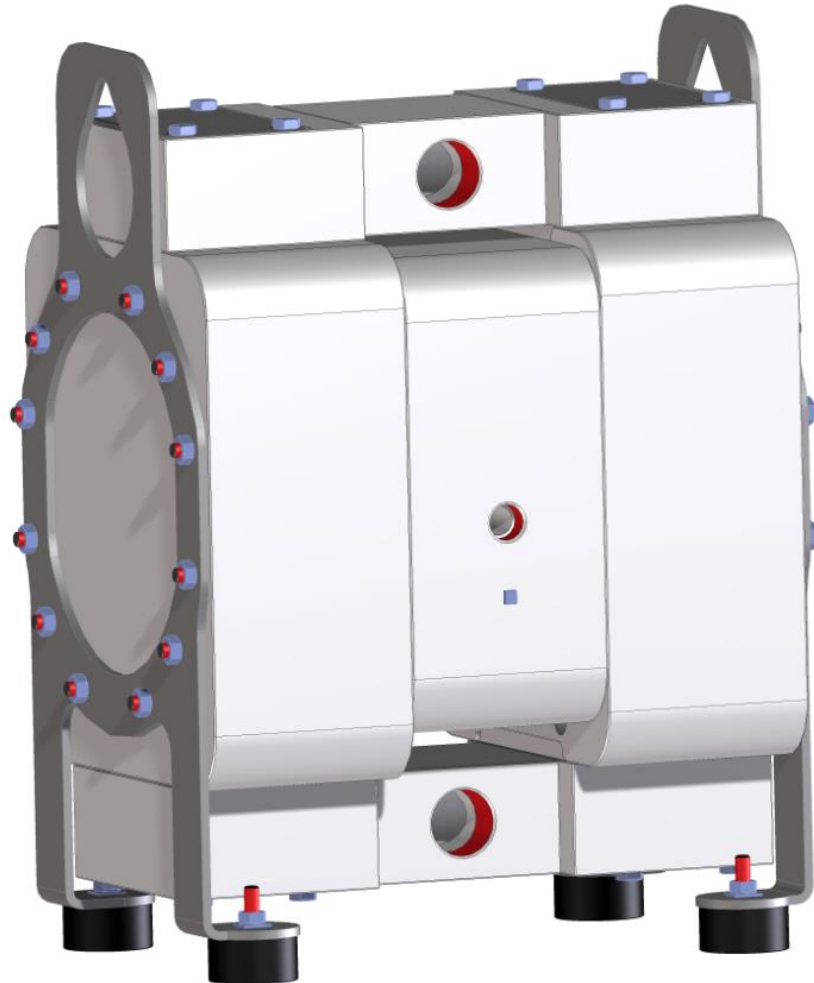




KELLER Pumps

Datasheet Air Operated Diaphragm Pump

PK40 / XPK40

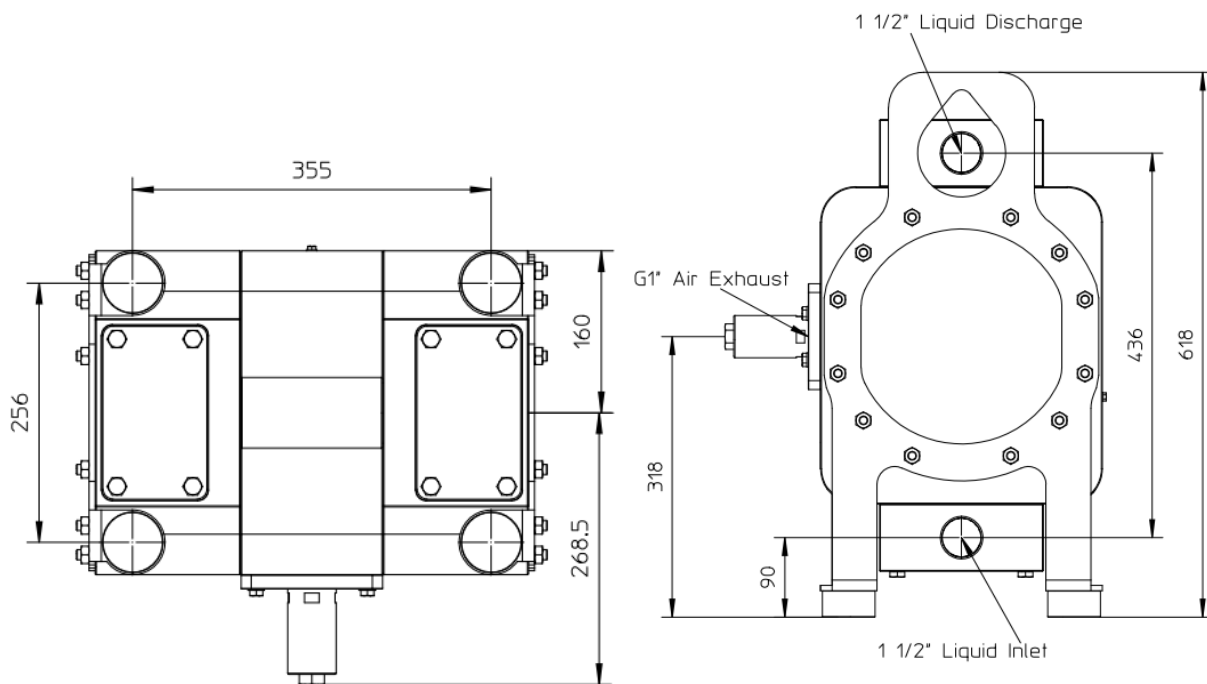
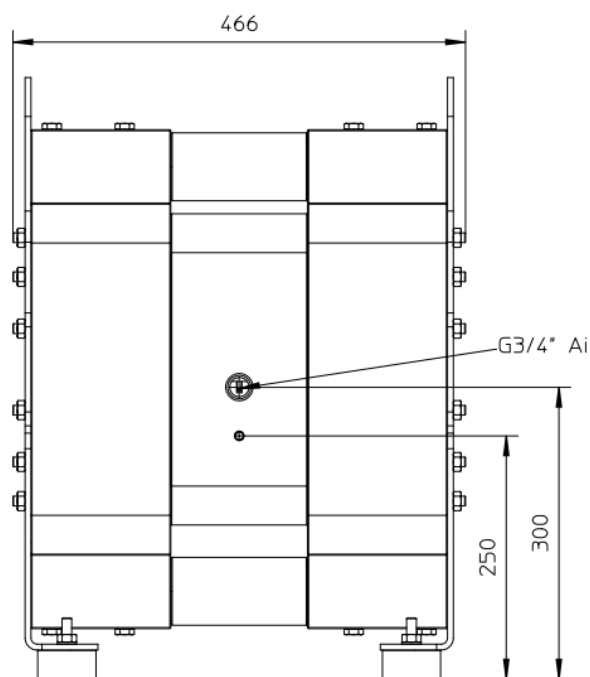


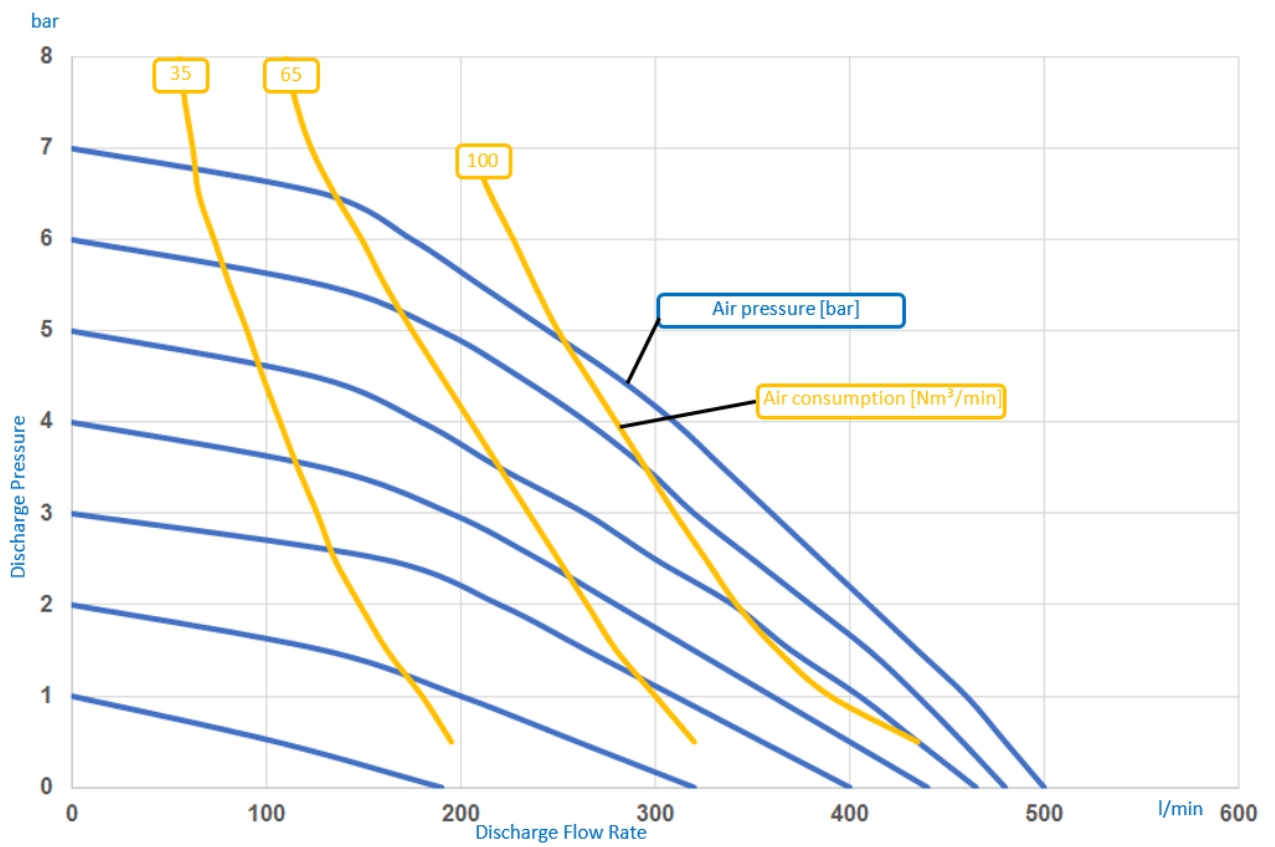
English

WILHELM KELLER GmbH, Herdweg 1, D-72147 Nehren
www.keller-pumpen.de, info@keller-pumpen.de,
Service-Hotline: +49 (0) 7473 / 9449-0



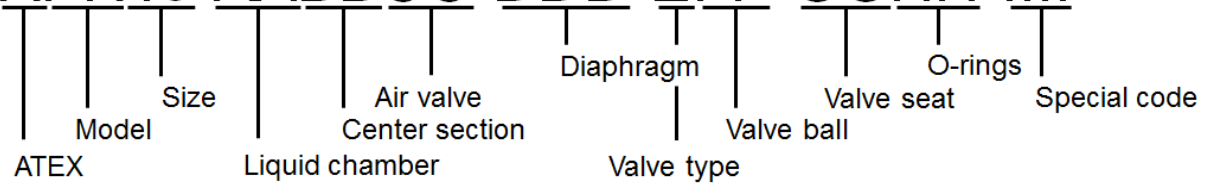
Technical data	PK40 XPK40
Max. flow rate	500 l/min
Max. discharge pressure	7 bar
Connection on the media side	1 1/2"
Air inlet	G3/4"
Dry suction capacity	5.5 m
Ball material EPDM, NBR, FKM	5.5 m
Ball material PTFE	5.0 m
Wet suction capacity	9.0 m
Max. solid particle size	10 mm
Weight PE	58 kg
Weight PTFE	112 kg
Air pressure	7 bar
Volume per single stroke	1.2 l/Hub





Performance of pump with water at 20°C.

XPK40-AABBCC-DDD-EFF-GGHH-III



Model

PK	Standard
XPK	ATEX

Size – connection nominal width

Nominal	Connection size
40	1 1/2"

Liquid chamber (In contact with pumping medium)

AA	Material
PE	Polyethylene
TF	PTFE

Center section

BB	Material
PE	Polyethylen
TF	PTFE

Air valve

CC	Material
PT	PET (Standard)
MV	Solenoid valve
OV	Without valve

Special code

- 004 = BSP thread, center ported horizontal
- 005 = NPT thread, center ported horizontal
- 006 = DIN flange, center ported horizontal
- 007 = ANSI flange, center ported horizontal

Diaphragm (In contact with pumping medium)

EEE	Material
TEC	PTFE composite membrane with
BNC	NBR composite membrane
EPC	EPDM composite membrane
VTC	FKM composite membrane

Valve type

E	Material
B	Valve ball

Valve ball (In contact with pumping medium)

FF	Material
TF	PTFE
BN	NBR
EP	EPDM
VT	FKM

Valve seat (In contact with pumping medium)

GG	Material
PE	Polyethylene
TF	PTFE

O-rings (In contact with pumping medium)

HH	Material
TF	PTFE
BN	NBR
EP	EPDM
VT	FKM